

---

# LH 60 Industry Litronic

---

## LIEBHERR

Material handling machine

**Generation**

6

**Operating weight**

52,000–75,800 kg \*

\* Without attachment

**Engine**

190 kW / 258 HP

Stage V

Stage IIIA (compliant)

Tier 4 Final

**System performance**

334 kW

## Performance

Power plus speed –  
Redefined performance

## Economy

Good investment –  
Savings for long-term

## Reliability

Durability and sustainability –  
Quality down to the last detail

## Comfort

Perfection at a glance –  
When technology is comfortable

## Maintainability

Efficiency bonus –  
Even with maintenance and service



### **LH 60 M Industry Litronic**

**Operating weight**  
55,000–61,000 kg \*

**Engine**  
190 kW / 258 HP  
Stage V  
Stage IIIA (compliant)  
Tier 4 Final

**System performance**  
334 kW

\* Without attachment



## LH 60 C Industry Litronic

**Operating weight**  
52,000–62,000 kg \*

**Engine**  
190 kW / 258 HP  
Stage V  
Stage IIIA (compliant)  
Tier 4 Final

**System performance**  
334 kW

## LH 60 M High Rise Industry Litronic

**Operating weight**  
67,300–72,600 kg \*

**Engine**  
190 kW / 258 HP  
Stage V  
Stage IIIA (compliant)  
Tier 4 Final

**System performance**  
334 kW

## LH 60 C High Rise Industry Litronic

**Operating weight**  
68,400–75,800 kg \*

**Engine**  
190 kW / 258 HP  
Stage V  
Stage IIIA (compliant)  
Tier 4 Final

**System performance**  
334 kW

# Performance

---



## Power plus speed – Redefined performance

Liebherr has been designing and manufacturing successful machines for material handling for over 60 years. With the different versions of the LH 60 Industry machine model of the generation of Liebherr handlers, high performance and yet economical machines specially designed for use in scrap recycling, timber yards and for handling of bulk materials.

## Maximum handling capacity

### New power unit

The LH 60 Industry material handling machine features a powerful Liebherr 4-cylinder in-line engine with constant 190 kW and 8.0 l displacement. This guarantees the high performance level of the machine and at the same time reduces fuel consumption.

### High swing torque

The separate hydraulic pump in the closed slewing circuit only supplies hydraulic fluid to the swing mechanism. The maximum delivery volume is thus available at any time for turning the uppercarriage for fast and dynamic rotational movements.

### Energy recovery system ERC

The energy saved by lowering of the attachment in the ERC system is also available to the machine for the engine power, the resulting system performance for the material handling machine LH 60 is 334 kW. The result is more powerful, faster and more homogeneous operating cycles, which lead to increased handling capacity.

## Precision operation

### LSC Hydraulic system with electrical pilot control

The new 2-circuit Liebherr-Synchron-Comfort-system (LSC) with LUDV technology (flow distribution independent of load pressure) ensures faster working movements with up to 20% less fuel consumption in comparison to the predecessor models.

All work functions of the machine are controlled electrically, whereby the signals of the transmitters are only converted directly at the control block by hydraulic means. This technology enables end position damping of the equipment in order to protect the components and thus extend their service life. Simple, individual setting and adjustment of the working speed of boom, stick and slewing mechanism allow the driver to adjust the machine to each application and fully utilise the machine's capacity.

### Firm and stable positioning

An essential prerequisite for precise working and maximum handling capacity is the firm and stable positioning of the machine. The design of the Liebherr undercarriage optimises the way forces are induced on components and minimised stress. Together with the elaborate support geometry, maximum stability and durability are guaranteed.



### Liebherr diesel engine

- Powerful, robust and reliable
- Maximum torque even at low speeds to ensure fast movements with low fuel consumption
- Common-Rail injection system for maximum efficiency
- Emissions treatment with Liebherr SCRFilter technology at stage V



### Closed slewing circuit

- High torque for maximum acceleration and fast rotary movements
- Integrated speed sensor for controlling and monitoring braking movement for greater safety
- Greater fuel efficiency thanks to intelligent energy management in the closed system



### Electrical pilot control

- Precision control irrespective of the ambient temperature for maximum precision
- Simpler and faster fault diagnostics for optimal availability
- Up to 5 individual driver profiles can be saved

# Economy

---



## Good investment – Savings for long-term

Liebherr material handling machines combine high productivity with excellent economy – all as standard. Liebherr manages to achieve this difficult goal through sophisticated engine technology from its own production and improved demand-controlled hydraulics.

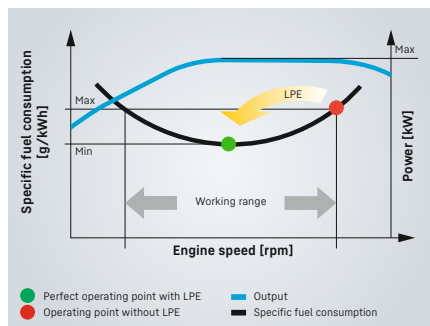
## Fuel efficiency

### Engine idling and engine shut-down

The standard automatic idling function reduces the engine speed to idle as soon as the operator takes his hand from the joystick so that no hydraulic function is activated. Proximity sensors in the joystick levers restore the original engine speed as soon as the operator's hand is moved towards the lever again. This ensures that the set engine speed is available immediately. The result is a combination of fuel saving and reduced noise levels. Operating costs can be reduced even further with the optional automatic engine shut-down function.

### Closed hydraulic circuit for the swing mechanism

The closed slewing circuit feeds the braking energy back into the system when the uppercarriage is braked. Here, new standards are set in terms of efficiency and economy. Simple yet effective.



### Low fuel consumption thanks to intelligent machine control

- Liebherr-Power Efficiency (LPE) optimises the interaction of the drive components in terms of efficiency
- LPE enables machine operation in the area of the lowest specific fuel use for less consumption and greater efficiency with the same performance

## Increased productivity

### Energy recovery system ERC

The ERC system not only brings about an enormous increase in performance and a higher handling capacity, but it also generates fuel savings of up to 30%, lower operating costs, as well as reduced pollutant and noise emissions.

### Efficient management

LiDAT, Liebherr's own data transmission and positioning system, facilitates efficient management, monitoring and control of the entire fleet park in terms of machinery data recording, data analysis, fleet park management and service. All of the important machinery data can be viewed at any time in a web browser. LiDAT offers you comprehensive work deployment documentation, greater availability thanks to shorter downtimes, faster support from the manufacturer, quicker detection of strain/overload and subsequently a longer service life of the machine as well as greater planning efficiency in your company. This service includes 1 year of use without charge as standard for the material handler LH 60.



### Liebherr attachments

- Robust and service-friendly slewing drive, can be turned 360°
- Optimum filling and clamping performance for effective material handling
- Finite element method (FEM) optimised for a perfect relationship between grapple weight, volume and a very long service life



### ERC system

- Increased total power
- Higher handling capacity
- Fuel savings of up to 30%
- Lower running costs
- Reduced pollutant and noise emissions

# Reliability

---



## Durability and sustainability – Quality down to the last detail

Every day Liebherr material handlers show their qualities in a very wide range of industrial applications all over the world. Years of experience, continuous development and the latest technologies provide maximum safety in use. Their robust design and the use of components produced in-house ensure that the material handling machine LH 60 is designed for a long service life.



## More safety

### Pipe fracture safety valves

The standard pipe fracture safety valves on the stick and hoist cylinders prevents the equipment from dropping in an unregulated way and ensure maximum safety during every operation.

### Working range limiters

For operations in which the working range should be limited, the material handling machines can be equipped optional with a working range limitation feature. Hereby all types of dimensions can be set: height, depth, width and proximity. Collisions and resulting component damage can thus be avoided.

### Overload warning device and load torque limitation

The acoustic and visual overload warning system continuously tells the operator about the current load situation of the machine. Furthermore, load torque limitation automatically regulates the speed of the working hydraulics to allow the maximum load bearing capacity to be approached safely. In the event of an overload, the functions which could cause the machine to topple are disabled. Only movements back to the safe working range are then possible.

## High machine availability

### Quality and competence

Our experience, understanding of customer needs and the technical implementation of these findings guarantee the success of the product. For decades, Liebherr has been inspirational with its depth of production and system solutions. Key components such as the diesel engine, electronic components, slewing ring, swivelling drive and hydraulic cylinders are developed and produced by Liebherr itself. The great depth of in-house manufacturing guarantees maximum quality and ensures that components are optimally configured to each other.

### Robust design

All steel components are designed and manufactured by Liebherr itself. High-strength steel plates configured for the toughest of requirements result in high torsional stiffness and optimum absorption of forces induced for a longer service life.

### Intelligent self diagnostics

The clever control electronics permanently monitor the vital functions of the machine to guarantee a high level of machine availability. Components which are critical for safety are designed with redundancy to guarantee maximum reliability.



### QPDM – Quality and process data management

- QPDM allows production data to be logged, documented and evaluated
- Automation of documentation and test specifications
- Ability to handle large quantities with maintain uniform high quality



### Piston rod protection

- Maximum protection of piston rod
- Robust construction of hot-dip galvanised steel for a long service life in tough applications
- Available for outriggers, hoist cylinders, ERC cylinder and tip cylinder as an option



### Equipment

- Components enhanced using FEM for maximum service life even if subjected to heavy lateral stresses during demanding tasks
- Cables routed internally to protect them from damage
- High load capacities with long reaches
- Reaches over 20 m

# Comfort

---



## Perfection at a glance – When technology is comfortable

The Liebherr deluxe cab is spacious, has an ergonomic design and is very quiet. This ensures that the operator remains intent and fully concentrated throughout the working day and enables him to deliver a constantly high performance.

## Deluxe cab

### Ergonomic design

The modern cab design provides excellent conditions for healthy, concentrated and productive work in maximum comfort. The colour touchscreen display, the controls and operator's seat Comfort are all coordinated to form a perfect ergonomic unit. In addition the ergonomic joysticks allow the machine operation to be both pleasant and precise.

### Excellent all-round vision

The large areas of glass, different versions of cab elevations and the rear and side area monitoring systems provide the operator with an excellent view of his working area and the zone around the machine. This perfect view enhances the operator's safety and ensures that he can handle the machine safely at all times.

### Low noise levels

The use of viscoelastic mounts, good insulation and low-noise diesel engines from Liebherr minimises noise emissions and vibrations. This means that the material handler LH 60 have low noise to preserve people and the environment.



### Safe access

- Foldable left arm console, as well as wide, non-slip steps, catwalks and platforms, and ergonomically positioned handles for an easy and safe access
- All access systems are designed to national guidelines and statutory regulations
- Sliding door for comfortable entry with narrow platforms is available as an option

### Operator's seat comfort with adjustable armrests

- Greater seating comfort due to variable damper hardness, lockable horizontal suspension, pneumatic lumbar support, seat heating and passive seat air conditioning for concentrated working
- Individual adjustment options for armrests, seat cushion depth, seat angle and head restraint for healthful working

### Joystick with proportional control

- Good functionality with streamlined, ergonomic design
- 4-way mini-joystick enables versatile possibilities of control without having to encompass, for example steering, outriggers, cab elevation or attachments
- Joysticks – each with two buttons and a rocker switch – also increase the number of functions and thanks to the new design maximum reliability is guaranteed

## Comfortable operation

### Proportional control

Precision and fine control of the material handling machine are especially important in applications such as scrap recycling or when handling bulk material. Thanks to the standard proportional control, even such demanding operations can be mastered in style.

### Steering and stabilizer on joystick

The standard joystick steering gives the operator an additional comfort boost. The steering movement can be conveniently executed using the joystick, eliminating the need to reposition during the work cycle. Abandoning the steering wheel in favour of joystick steering provides additional legroom and a clear view of the working area. A standard feature is the control of the outriggers with the joystick for more comfort and an increased productivity of the machine.

### Colour touchscreen display and operation unit

The 9" colour touchscreen display is intuitive in its operation and provides continuous information about all important operating data. The shortcut keys can be individually assigned and are selected quickly and easily with the menu strip.

# Maintainability

---



## Efficiency bonus – Even with maintenance and service

The Liebherr material handling machine LH 60 is powerful, robust, precise and efficient. It also features integral maintenance benefits as a result of their service-based machine design. The maintenance work for the Liebherr material handler can be carried out quickly, easily and safely. This minimises the material handling machine's maintenance costs and down times.

## Elaborate maintenance concept

### Service-based machine design

The service-based machine design guarantees short servicing times, thus minimising maintenance costs due to the time it saves. All the maintenance points are easily accessible on catwalks and platforms, and easy to reach due to the large, wide-opening service doors. The enhanced service concept places the maintenance points close to each other and reduces their number to a minimum. This means that service work can be completed even more quickly and efficiently.

### Integral maintenance benefits

Completing maintenance work helps keep the machine fully functional. Maintenance work does, however, mean machine down times which must be minimised. With change intervals of up to 2,000 hours for engine oil and up to 8,000 hours for hydraulic oil Liebherr reduce the amount of maintenance significantly and increase the productivity of the material handlers. In addition, central lubrication systems assist to optimise the daily amount of maintenance.

## Your competent service partner

### Remanufacturing

The Liebherr remanufacturing program offers cost-effective reconditioning of components to the highest quality standards. Various reconditioning levels are available: Replacement components, general overhaul or repair. The customer receives components with original part quality at a reduced cost.

### Competent advice and service

Competent advice is given at Liebherr. Experienced specialists provide decision guidance for your specific requirements: application-oriented sales support, service agreements, value-priced repair alternatives, original parts management, as well as remote data transmission for machine planning and fleet management.

### Fast spare parts service

The Liebherr spare parts service provides 24-hour delivery and is therefore available to our dealers around the clock. Thanks to the electronic spare parts catalogue, the parts can be selected and ordered quickly and reliably using the Liebherr online portal. Your order can be tracked at any time using the online tracking system.



### Lubrication as it works

- Fully automatic central lubrication system for uppercarriage and equipment
- Fully automatic central lubrication system for the undercarriage and attachments available as an option
- Lubricates without interrupting work to ensure better productivity and a long component service life



### Excellent service access

- Large, wide-opening service doors
- Engine oil, fuel, air and cab air filters are easily and safely accessible on catwalks and platforms
- The oil level in the hydraulic tank can be checked from the cab
- Short service times for more productivity



### SCRFilter for stage V

- The SCR filter system developed by Liebherr includes a DOC catalyst, an SCR catalyst and an SCR-coated particulate filter
- The DOC catalyst requires no maintenance and the coated particulate filter is regenerated passively
- The maintenance intervals can be extended to more than 4,500 operating hours

# Material handling machines overview

## Uppercarriage

- 2-circuit Liebherr-Synchron-Comfort-system (LSC) with LUDV technology for faster working speed at up to 20% less fuel consumption
- 190 kW engine output and greater pump flow for fast work cycles, convincing dynamics and maximum handling performance
- Electrical pilot control enables individual settings for the operator and new options such as load torque limitation
- Reduction in operating costs thanks to built-in maintenance advantages and optimum service accessibility

## Undercarriage

- Optimised hydraulics with closed slewing mechanism circuit for greater fuel efficiency and faster work cycles
- Central lubrication system (manual / full automatic) for more productive working time (optional available)
- Load-holding valves fitted as standard on all support cylinders for maximum stability in every application
- Low service costs thanks to travel drive without gearbox and cardan shafts





## Equipment

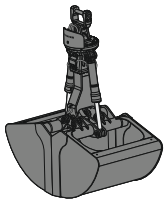
- High load capacities and long reaches thanks to optimised kinematic properties and robust construction for greater handling performance
- Energy recovery cylinder filled with nitrogen for maximum efficiency through less fuel consumption at more handling capacity
- Pipe fracture safety valves on hoist and stick cylinders and retract stick shut-off for maximum safety during every application
- Electro-hydraulic end position control extends the service life of the components
- Quick coupling systems and attachments made by Liebherr for maximum machine capacity utilisation and greater handling performance

## Operator's cab

- Joystick steering without steering column as standard for convenient operation, greater legroom and clear view of the working area
- Less strain on the operator, workers and reduced environmental pollution due to lower noise emissions
- Optimum visibility thanks to large glass surfaces and standard rear and side area monitoring with camera
- Proportional control as standard with 4-way minijoystick for greater precision, highprecision control and functions

# The perfect solution for every application

## Attachments



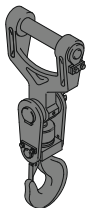
Shells for loose material



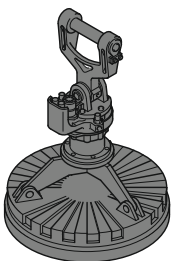
Multi-tine grab



Wood grab

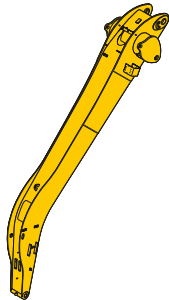


Load hook

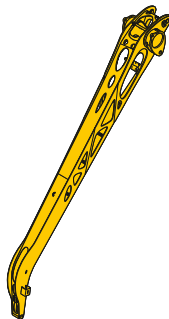


Magnet devices

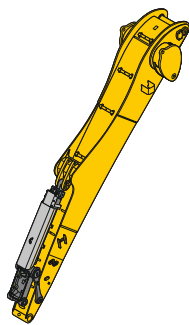
## Sticks



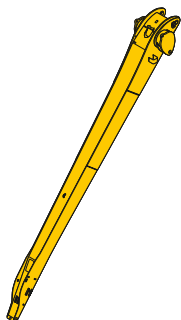
Angled stick



Lightweight stick

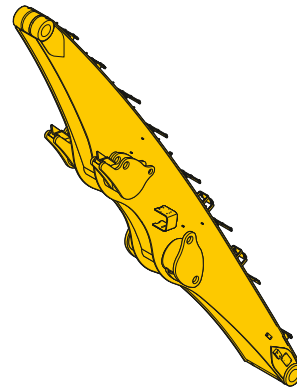


Stick with tipping kinematics

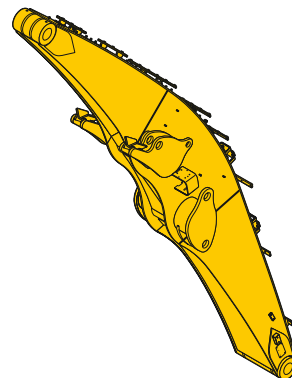


Straight stick

## Booms



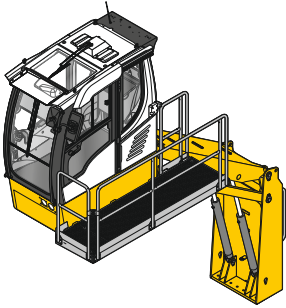
Straight boom



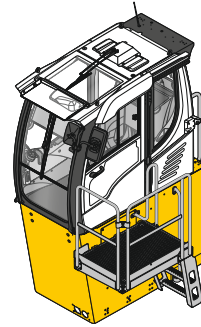
Angled boom



## Cab elevations



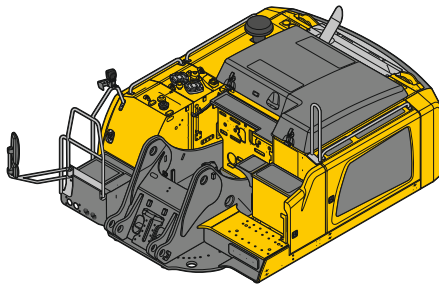
Hydraulic cab elevation



Rigid cab elevation

---

## Uppercarriage



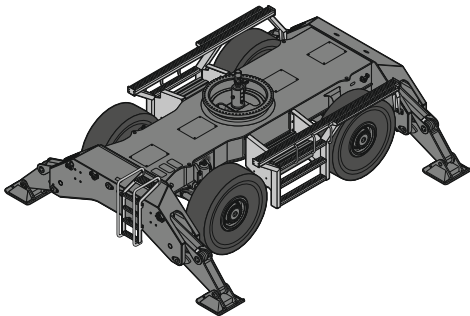
---

## Turret elevations

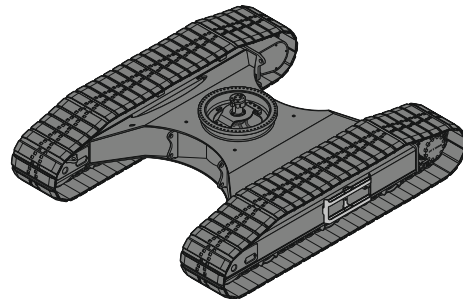


---

## Undercarriage



Mobile



Crawler

# Experience the progress

The invention of the mobile tower crane in 1949 also marked the birth of the Liebherr company. During its first decade the small construction company developed into an established manufacturer of construction machines and other technically advanced products. The R 353 and its first industrial equipment were launched in 1951 to lay the

foundations for the production of today's material handling machines. The A 911 mobile material handling machine a few years later enabled the company to make the breakthrough into material handling. Over the years the machines have been developed continually and today they are designed uncompromisingly for the industrial use.

**1949**

First tower crane TK10



**1968**

Breakthrough with the A 911 mobile material handler



**1974**

Silenced material handling machine



R 353 with the first industrial equipment

**1961**



Production plant in Kirchdorf

**1970**



First hydraulic cab elevation

**1983**

Liebherr has now been developing and manufacturing material handling machines for a very wide range of applications in the scrap, port and timber handling sectors and for the waste and recycling industry for over 60 years. In the development of its machines, Liebherr chooses quality, durability and reliability from the very outset, together with performance and economy. Years of experience in design

and construction are not only reflected in the end product but also in the components which are developed, designed and manufactured by Liebherr itself. This multiple sector expertise is used in product design from the early phase of the development process and thus allows high level technical innovations to be made.

**2007**

Opening of the assembly building for material handling machines



**2013**

Launch of the new LH series



**2016**

Launch of the new Port Material Handling Machines



Awarded the Bauma Design Prize for the LH 120

**2010**



Awarded the Bauma Innovation Prize for the ERC cylinder



Awarded the IF Award for the material handling machine LH 60

**2014**

# Technical data



## Diesel engine

<b>Rating per ISO 9249</b>	190 kW (258 HP) at 1,800 RPM
<b>Model</b>	Liebherr D944
<b>Type</b>	4 cylinder in-line
<b>Bore / Stroke</b>	130 / 150 mm
<b>Displacement</b>	8.0 l
<b>Engine operation</b>	4-stroke diesel Common-Rail Turbo-charged and after-cooled Reduced emissions
<b>Air cleaner</b>	Dry-type air cleaner with pre-cleaner, primary and safety elements
<b>Engine idling</b>	Sensor controlled
<b>Electrical system</b>	
Voltage	24 V
Batteries	2 x 180 Ah / 12 V
Alternator	Three-phase current 28 V / 140 A
<b>Stage V</b>	
Harmful emissions values	According to regulation (EU) 2016/1628
Emission control	Liebherr-SCR Filter technology
Fuel tank	518 l
Urea tank	65 l
<b>Stage IIIA (compliant)</b>	
Harmful emissions values	In accordance with ECE-R.96 Power Band H
Fuel tank	518 l
<b>Tier 4 Final</b>	
Harmful emissions values	In accordance with 40CFR1039 (EPA) / 13CCR (CARB)
Emission control	Liebherr-SCR technology
Fuel tank	518 l
Urea tank	65 l



## Cooling system

<b>Diesel engine</b>	Water-cooled Compact cooling system consisting cooling unit for water, hydraulic oil and charge air with stepless thermostatically controlled fan
----------------------	--



## Hydraulic controls

<b>Power distribution</b>	Via control valves with integrated safety valves, simultaneous actuation of chassis and equipment. Swing drive in separate closed circuit
<b>Servo circuit</b>	
Equipment and swing	With electro-hydraulic pilot control and proportional joystick levers
Chassis	
Mobile	Electro-proportional via foot pedal
Crawler	With electric proportionally functioning foot pedals or adjusted with plugable levers
<b>Additional functions</b>	
Proportional control	Via switch or electro-proportional foot pedals Proportionally acting transmitters on the joysticks for additional hydraulic functions



## Hydraulic system

<b>Hydraulic pump</b>	For equipment and travel drive	2 Liebherr axial piston variable displacement pumps (double construction)
Max. flow		2 x 302 l/min.
Max. pressure		350 bar
<b>For swing drive</b>		Reversible axial piston variable displacement pump, closed-loop circuit
Max. flow		199 l/min.
Max. pressure		370 bar
<b>Hydraulic pump regulation and control</b>		2 circuit Liebherr-Synchron-Comfort-system (LSC) with electronic engine speed sensing regulation, pressure and flow compensation, automatic oil flow optimizer
<b>Hydraulic tank</b>		265 l
<b>Hydraulic system Filtration</b>		890 l
		2 main return filters with integrated partial micro filtration (5 µm)
<b>MODE selection</b>		Adjustment of engine and hydraulic performance via a mode pre-selector to match application, e.g. for especially economical and environmentally friendly operation or for maximum material handling and heavy-duty jobs
S (Sensitive)		Mode for precision work and lifting through very sensitive movements
E (Eco)		Mode for especially economical and environmentally friendly operation
P (Power)		Mode for high performance with low fuel consumption
P+ (Power-Plus)		Mode for highest performance and for very heavy duty applications, suitable for continuous operation
<b>Engine speed and performance setting</b>		Stepless alignment of engine output and hydraulic power via engine speed
Option		Tool Control: 20 pre-adjustable pump flows and pressures for add-on attachments



## Swing drive

<b>Drive</b>	Liebherr axial piston motor in a closed system, Liebherr planetary reduction gear
<b>Swing ring</b>	Liebherr, sealed race ball bearing swing ring, internal teeth
<b>Swing speed</b>	0–8.0 RPM stepless 0–6.5 RPM stepless (High Rise)
<b>Swing torque</b>	118 kNm
<b>Holding brake</b>	Wet multi-disc (spring applied, pressure released)
<b>Option</b>	Slewing gear brake Comfort



## Cab

<b>Cab</b>	Safety cab structure with individual windscreens or featuring a slide-in subpart under the ceiling, work headlights integrated in the ceiling, a door with a sliding window (can be opened on both sides), large stowing and depositing possibilities, shock-absorbing suspension, sound damping insulating, tinted laminated safety glass, separate shades for the sunroof window and windscreen
High Rise	Deviating from standard: safety cab structure with fixed built-in front and roof window made from impact-resistant laminated safety glass
<b>Operator's seat Comfort</b>	Air cushioned operator's seat with 3D-adjustable armrests, headrest, lap belt, seat heater, adjustable seat cushion inclination and length, lockable horizontal suspension, automatic weight adjustment, adjustable suspension stiffness, pneumatic lumbar vertebrae support and passive seat climatisation with active coal
<b>Operator's seat Premium (Option)</b>	In addition to operator's seat comfort: active electronic weight adjustment (automatic readjustment), pneumatic low frequency suspension and active seat climatisation with active coal and ventilator
<b>Arm consoles</b>	Joysticks with control consoles and swivel seat, folding left control console
<b>Operation and displays</b>	Large high-resolution operating unit, self-explanatory, colour display with touchscreen, video-compatible, numerous setting, control and monitoring options, e.g. air conditioning control, fuel consumption, machine and attachment parameters
<b>Air-conditioning</b>	Automatic air-conditioning, recirculated air function, fast de-icing and demisting at the press of a button, air vents can be operated via a menu; recirculated air and fresh air filters can be easily replaced and are accessible from the outside; heating-cooling unit, designed for extreme outside temperatures, sensors for solar radiation, inside and outside temperatures
Refrigerant	R134a
Global warming potential	1,430
Quantity at 25 °C*	1,400-2,000 g
CO <sub>2</sub> equivalent*	2.002-2.86 t
<b>Vibration emission**</b>	
Hand / arm vibrations	< 2.5 m/s <sup>2</sup>
Whole-body vibrations	< 0.5 m/s <sup>2</sup>
Measuring inaccuracy	According with standard EN 12096:1997



## Equipment

<b>Type</b>	High-strength steel plates at highly-stressed points for the toughest requirements. Complex and stable mountings of equipment and cylinders
<b>Hydraulic cylinders</b>	Liebherr cylinders with special sealing and guide system and, depending on cylinder type, shock absorption
<b>Energy recovering cylinder</b>	Liebherr gas cylinder with special sealing and control system
<b>Bearings</b>	Sealed, low maintenance

\* depending on configuration

\*\* for risk assessment according to 2002/44/EC see ISO/TR 25398:2006



## Undercarriage

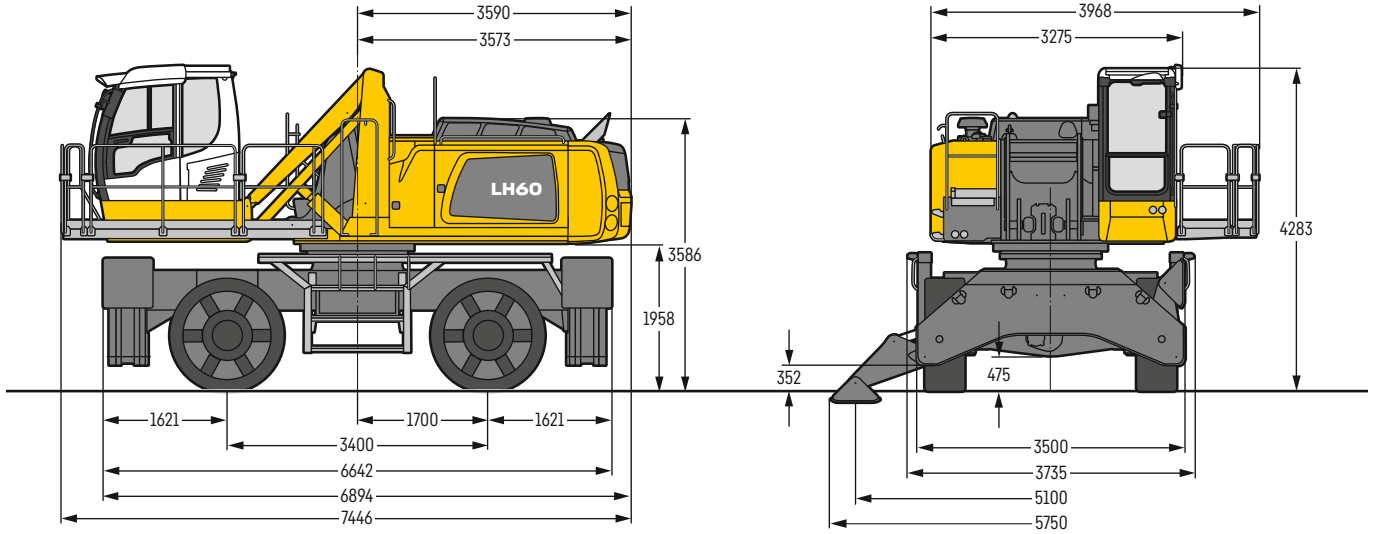
<b>Mobile</b>	
Version	High Rise
Drive	One axle drive per drive axle with Liebherr axial piston motor and functional brake valve on both sides
Travel speed	0- 4.0 km/h stepless (creeper speed)
Joystick steering	0-12.0 km/h stepless 0- 3.5 km/h stepless (creeper speed) (High Rise) 0-10.0 km/h stepless (High Rise)
Driving operation	Automotive driving using accelerator pedal, cruise control function: storage of variable accelerator pedal positions
Axles	70 t / 90 t drive axles (LH 60 M / LH 60 M High Rise); manual or automatic hydraulically controlled front axle oscillation lock
Service brake	Two circuit travel brake system with accumulator; disc brake
Holding brake	Wet multi-disc (spring applied, pressure released)
Stabilization	4 point outriggers
<b>Crawler</b>	
Versions	EW, SW, High Rise
Drive	Liebherr compact planetary reduction gear with Liebherr axial piston motor per side of undercarriage
Travel speed	0-2.8 km/h stepless (creeper speed) 0-4.0 km/h stepless 0-2.5 km/h stepless (creeper speed) (High Rise) 0-4.0 km/h stepless (High Rise)
Brake	Functional brake valves on both sides
Holding brake	Wet multi-disc (spring applied, pressure released)
Track pads	Triple grouser, flat
Tracks	Sealed and greased



## Complete machine

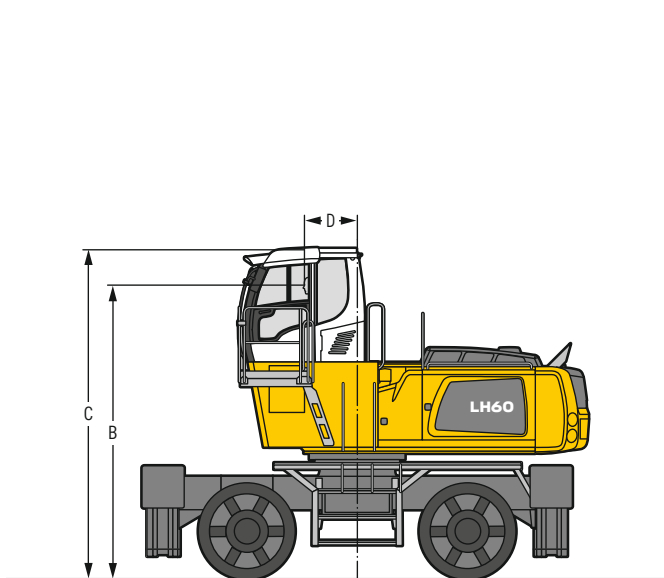
<b>Lubrication</b>	Liebherr central lubrication system for uppercarriage and equipment, automatically
Mobile (Option)	Liebherr central lubrication system for undercarriage, automatically
<b>Steps system</b>	Safe and durable access system with anti-slip steps; main components hot-galvanised
<b>Noise emission</b>	
ISO 6396 (Stage V)	70 dB(A) = L <sub>PA</sub> (inside cab)
2000/14/EC (Stage V)	103 dB(A) = L <sub>WA</sub> (surround noise)
ISO 6396 (Stage IIIA compliant)	not specified
2000/14/EC (Stage IIIA compliant)	not specified
ISO 6396 (Tier 4 Final)	70 dB(A) = L <sub>PA</sub> (inside cab)
2000/14/EC (Tier 4 Final)	103 dB(A) = L <sub>WA</sub> (surround noise)

# LH 60 M – Dimensions



## LH 60 M – Choice of cab elevation

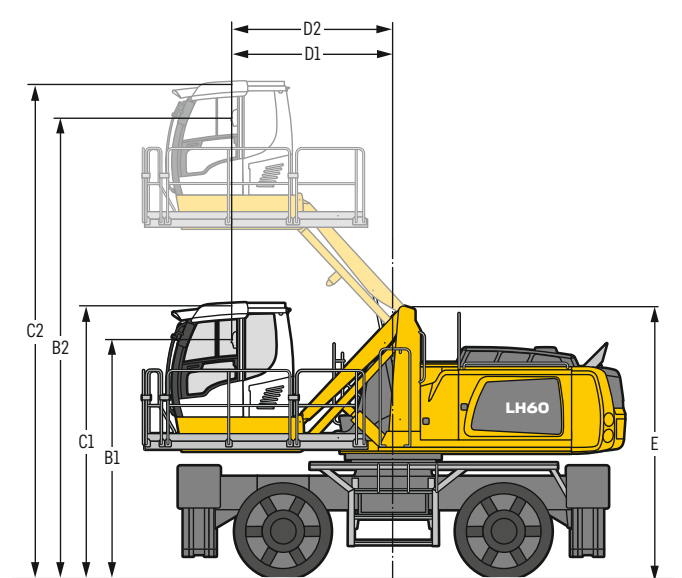
### Cab elevation LFC (rigid elevation)



Increase type	LFC 120
Height	1,200 mm
B	4,550 mm
C	5,092 mm
D	816 mm

A rigid cab elevation has a fixed eye level height. For a lower transport height, the shell of the cab can be removed and replaced by a transport device. The dimension C is in this machine design for all rigid cab elevations 3,765 mm.

### Cab elevation LHC (hydraulic elevation)

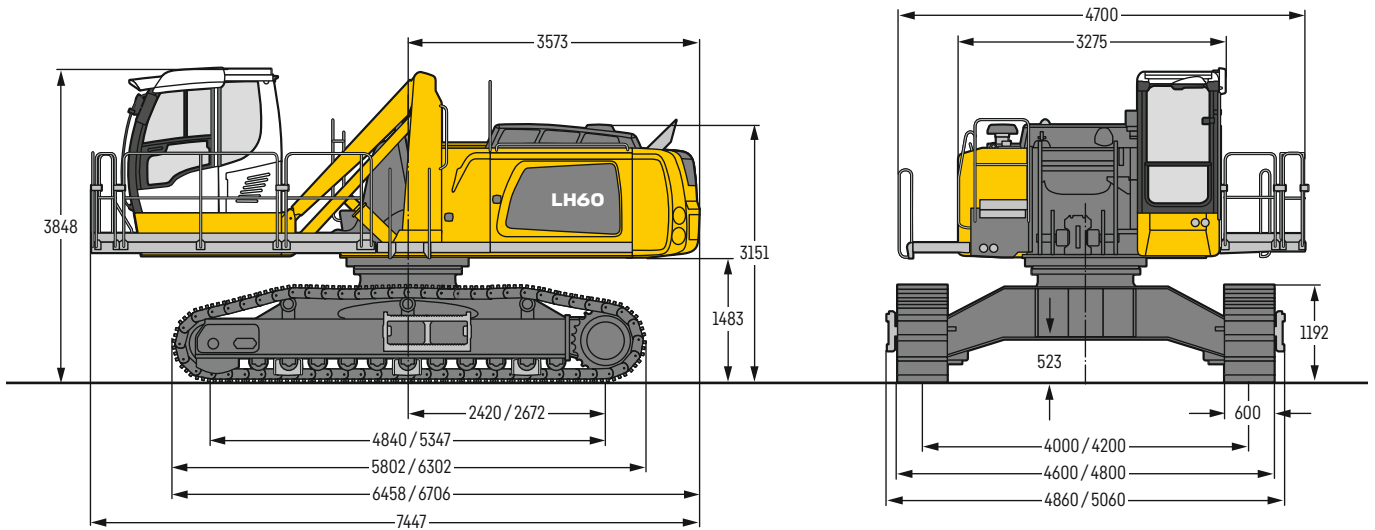


Increase type	LHC 255	LHC 340-35
B1	3,349 mm	3,701 mm
B2	5,896 mm	7,116 mm
C1	3,892 mm	4,244 mm
C2	6,439 mm	7,658 mm
D1	1,343 mm	2,484 mm
D2	1,468 mm	2,485 mm
E	3,833 mm	4,223 mm

The hydraulically adjustable cab allows the driver, that he can choose his field of view freely and at any time within the stroke.

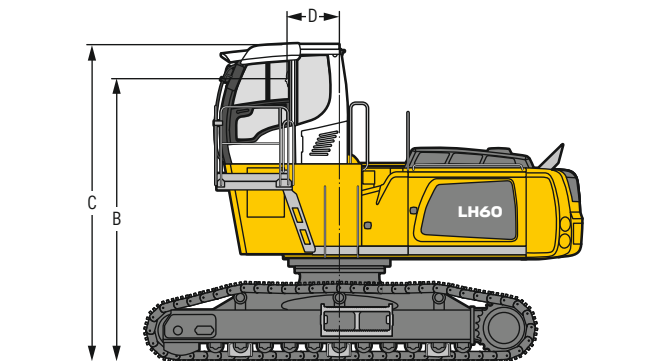
Tyres 18.00-25

# LH 60 C EW / SW – Dimensions



# LH 60 C EW / SW – Choice of cab elevation

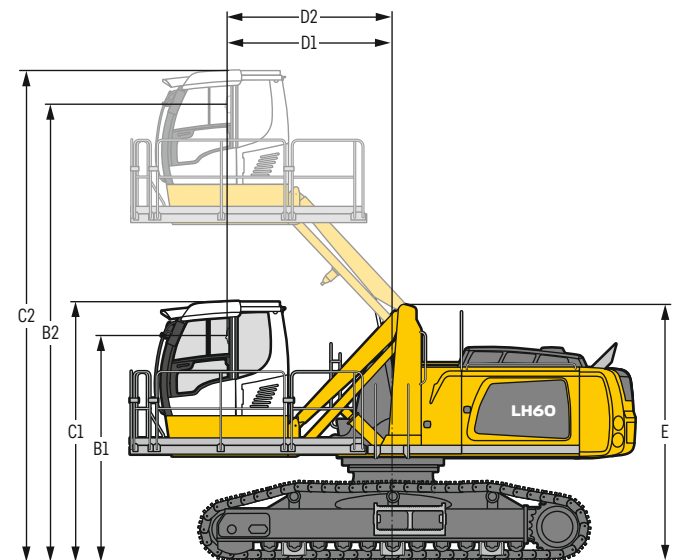
## Cab elevation LFC (rigid elevation)



Increase type	LFC 120
Height	1,200 mm
B	4,178 mm
C	4,658 mm
D	769 mm

A rigid cab elevation has a fixed eye level height. For a lower transport height, the shell of the cab can be removed and replaced by a transport device. The dimension C is in this machine design for all rigid cab elevations 3,762 mm.

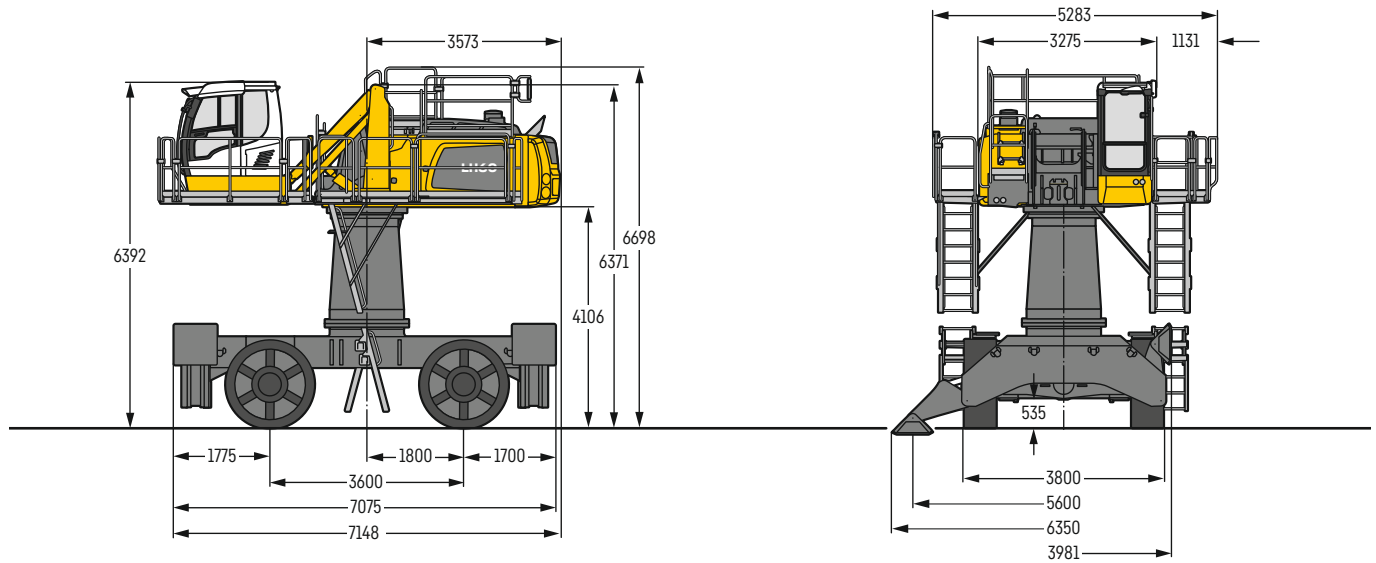
## Cab elevation LHC (hydraulic elevation)



Increase type	LHC 340-35
B1	3,330 mm
B2	6,745 mm
C1	3,809 mm
C2	7,224 mm
D1	2,437 mm
D2	2,438 mm
E	3,788 mm

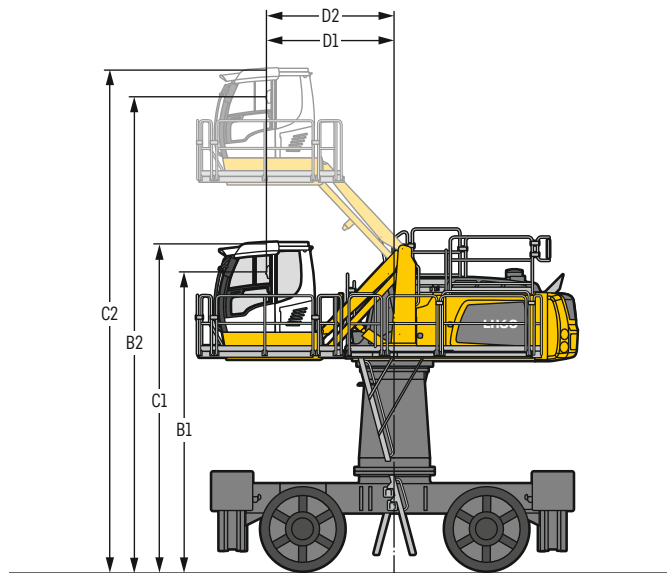
The hydraulically adjustable cab allows the driver, that he can choose his field of view freely and at any time within the stroke.

# LH 60 M HR – Dimensions



# LH 60 M HR – Cab elevation

## Cab elevation LHC (hydraulic elevation)



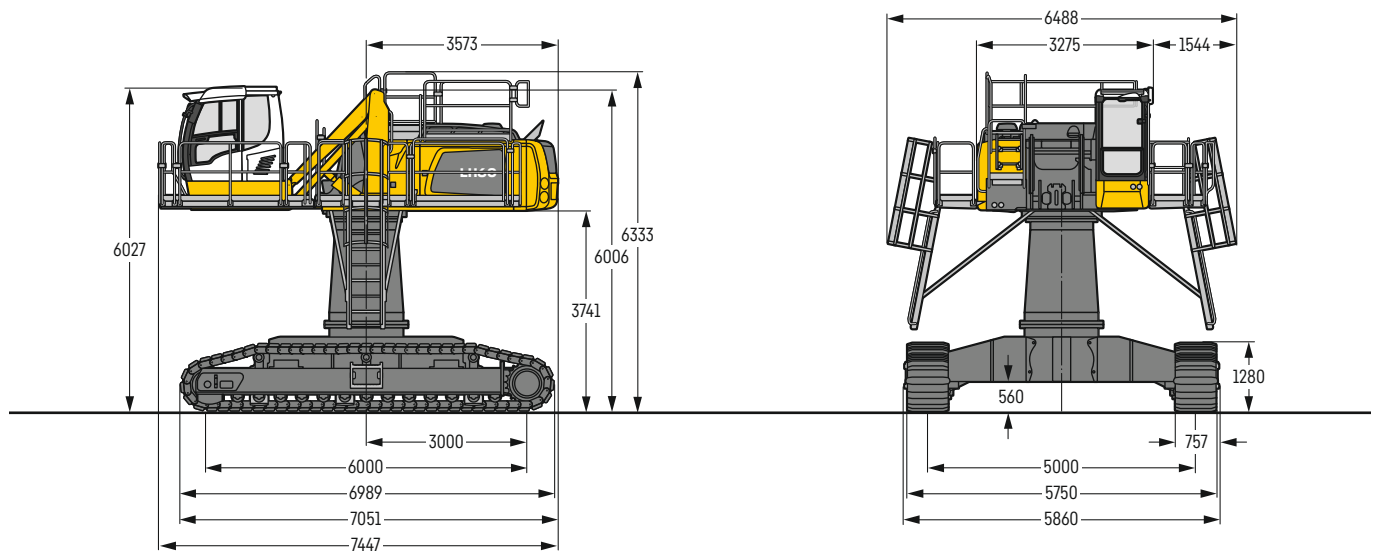
Increase type	LHC 340-35
B1	5,849 mm
B2	9,264 mm
C1	6,392 mm
C2	9,806 mm
D1	2,484 mm
D2	2,485 mm

The hydraulically adjustable cab allows the driver, that he can choose his field of view freely and at any time within the stroke.

Tyres 23.5-25

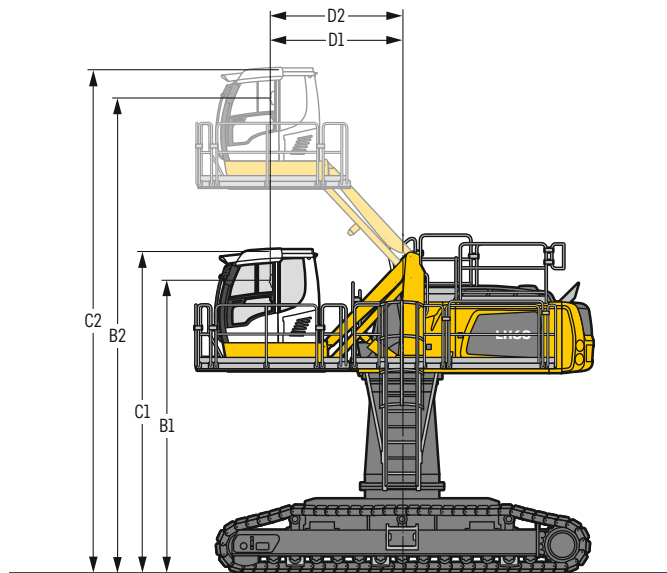


# LH 60 C HR – Dimensions



# LH 60 C HR – Cab elevation

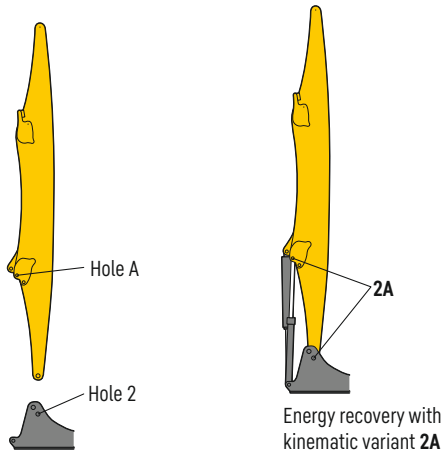
## Cab elevation LHC (hydraulic elevation)



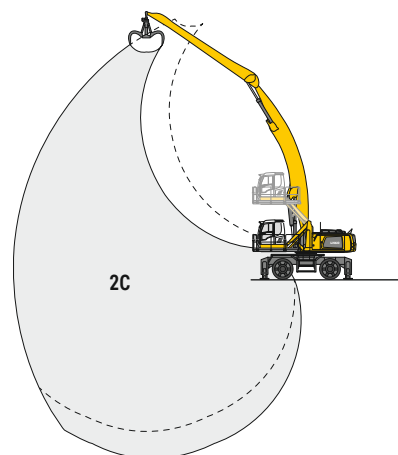
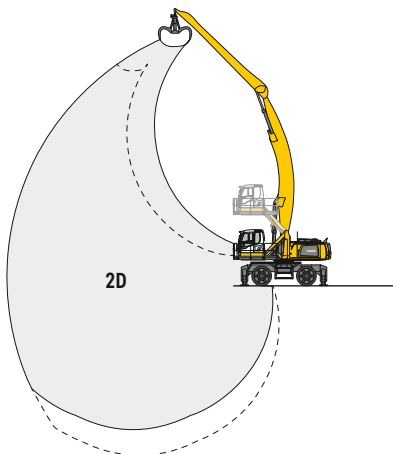
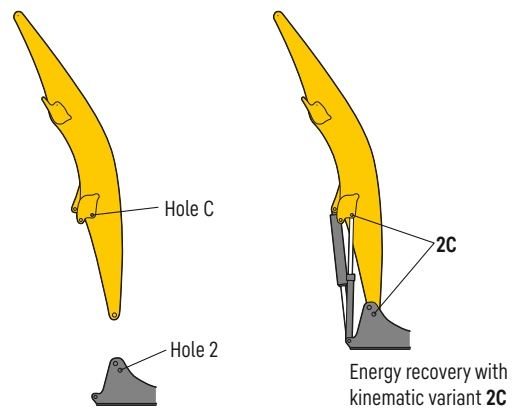
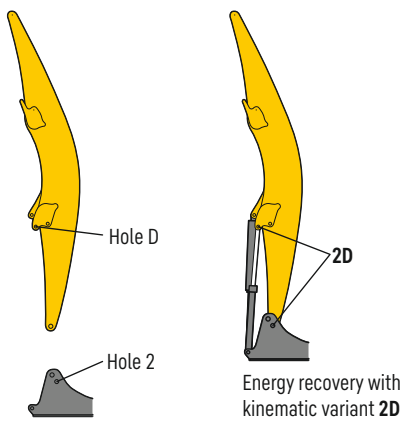
Increase type	LHC 340-35
B1	5,484 mm
B2	8,899 mm
C1	6,027 mm
C2	9,442 mm
D1	2,484 mm
D2	2,485 mm

The hydraulically adjustable cab allows the driver, that he can choose his field of view freely and at any time within the stroke.

## Kinematic variant 2A



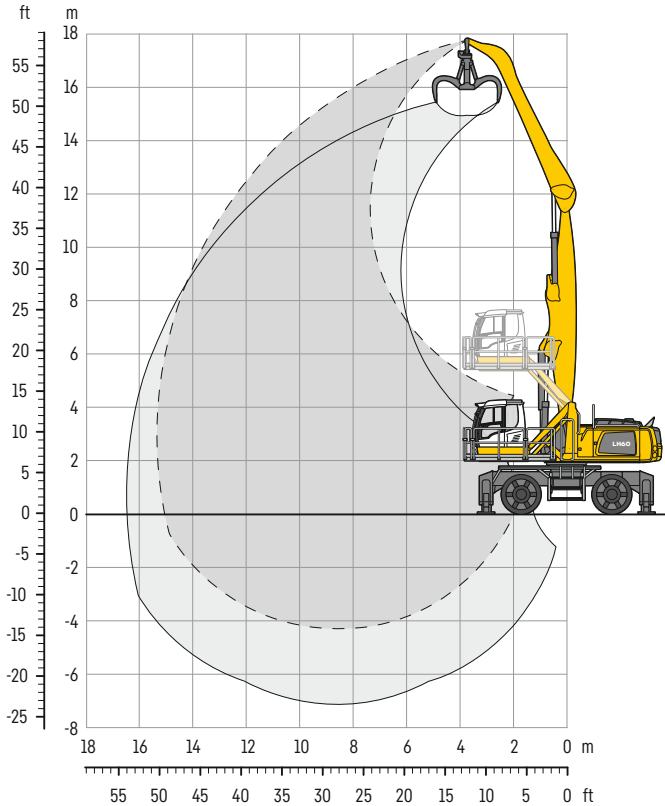
## Kinematic variant 2D / 2C



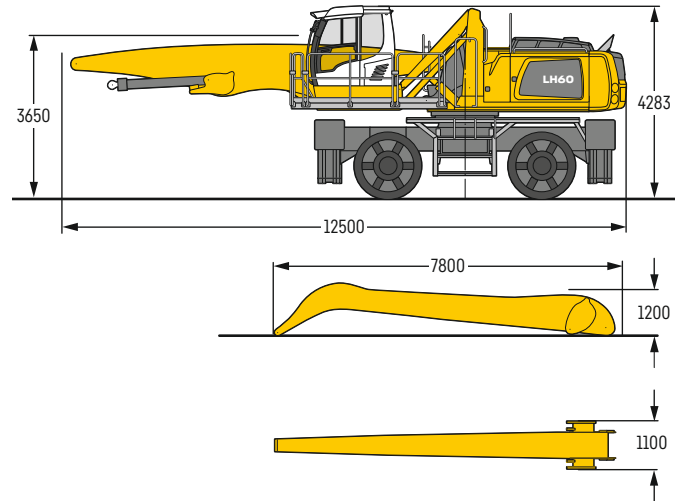
Altered range curve with additional reach depth, e.g. for unloading from ships

# LH 60 M – Equipment GA15

## Industry – Kinematic 2A



### Dimensions



### Operating weight

The operating weight includes the basic machine with 4 point outriggers, hydr. cab elevation, 4 solid tyres, straight boom 8.50 m, angled stick 7.30 m and multi-tine grab GMM 80-5/110m<sup>3</sup> semi-closed tines.

Weight 59,100 kg

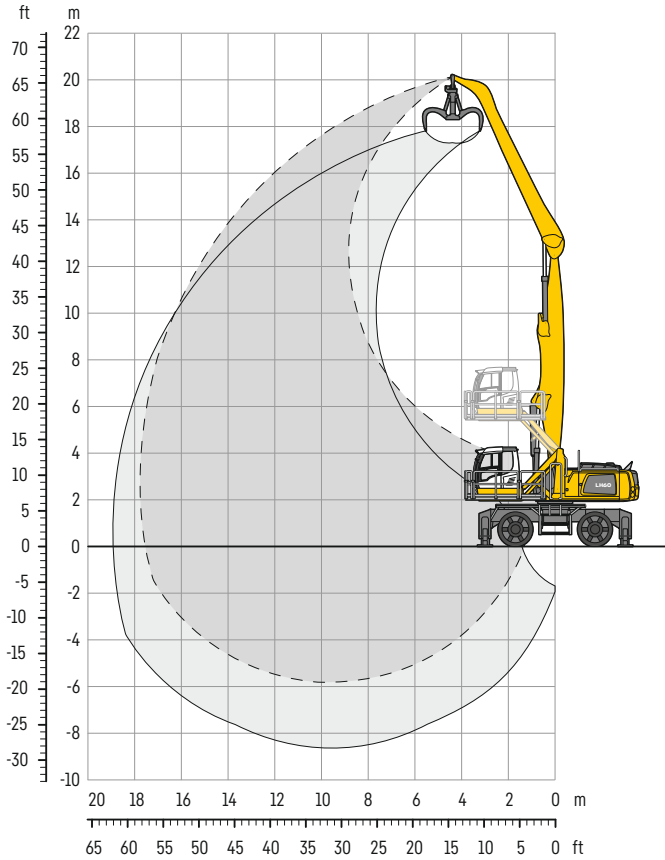
m	Undercarriage	6.0m		7.5m		9.0m		10.5m		12.0m		13.5m		15.0m		16.5m		18.0m		19.5m		Max. reach		m
		Can be slewed through 360°	In longitudinal position of undercarriage	Can be slewed through 360°	In longitudinal position of undercarriage	Can be slewed through 360°	In longitudinal position of undercarriage	Can be slewed through 360°	In longitudinal position of undercarriage	Can be slewed through 360°	In longitudinal position of undercarriage	Can be slewed through 360°	In longitudinal position of undercarriage	Can be slewed through 360°	In longitudinal position of undercarriage	Can be slewed through 360°	In longitudinal position of undercarriage	Can be slewed through 360°	In longitudinal position of undercarriage	Can be slewed through 360°	In longitudinal position of undercarriage	Can be slewed through 360°	In longitudinal position of undercarriage	
16.5	4 pt. outriggers down	11.8*	11.8*																			9.6*	9.6*	7.2
15.0	4 pt. outriggers down			11.6*	11.6*	9.3*	9.3*															8.0*	8.0*	9.5
13.5	4 pt. outriggers down			12.5*	12.5*	11.2*	11.2*	9.0*	9.0*													7.3*	7.3*	11.2
12.0	4 pt. outriggers down			12.6*	12.6*	11.4*	11.4*	10.5*	10.5*	8.1*	8.1*											6.8*	6.8*	12.4
10.5	4 pt. outriggers down			12.6*	12.6*	11.4*	11.4*	10.5*	10.5*	9.7*	9.7*											6.6*	6.6*	13.4
9.0	4 pt. outriggers down			12.9*	12.9*	11.6*	11.6*	10.6*	10.6*	9.7*	9.7*	8.4*	8.4*									6.4*	6.4*	14.1
7.5	4 pt. outriggers down			13.5*	13.5*	12.0*	12.0*	10.8*	10.8*	9.9*	9.9*	9.1*	9.1*									6.3*	6.3*	14.7
6.0	4 pt. outriggers down	16.0*	16.0*	14.3*	14.3*	12.5*	12.5*	11.1*	11.1*	10.0*	10.0*	9.1*	9.1*	6.6*	6.6*							6.4*	6.4*	15.0
4.5	4 pt. outriggers down	18.6*	18.6*	15.3*	15.3*	13.1*	13.1*	11.5*	11.5*	10.2*	10.2*	9.2*	9.2*	7.7*	7.7*							6.4*	6.4*	15.3
3.0	4 pt. outriggers down	20.2*	20.2*	16.3*	16.3*	13.7*	13.7*	11.8*	11.8*	10.4*	10.4*	9.2*	9.2*	7.9*	7.9*							6.6*	6.6*	15.3
1.5	4 pt. outriggers down	21.5*	21.5*	17.0*	17.0*	14.1*	14.1*	12.0*	12.0*	10.4*	10.4*	9.0*	9.0*	7.5*	7.5*							6.9*	6.9*	15.3
0	4 pt. outriggers down	21.8*	21.8*	17.2*	17.2*	14.2*	14.2*	12.0*	12.0*	10.2*	10.2*	8.6*	8.6*	6.6*	6.6*							6.6*	6.6*	15.0
-1.5	4 pt. outriggers down	20.9*	20.9*	16.7*	16.7*	13.8*	13.8*	11.5*	11.5*	9.7*	9.7*	7.8*	7.8*									6.5*	6.5*	14.3
-3.0	4 pt. outriggers down	18.7*	18.7*	15.3*	15.3*	12.6*	12.6*	10.4*	10.4*	8.5*	8.5*											7.4*	7.4*	12.7

Height Can be slewed through 360° In longitudinal position of undercarriage Max. reach \* Limited by hydr. capacity

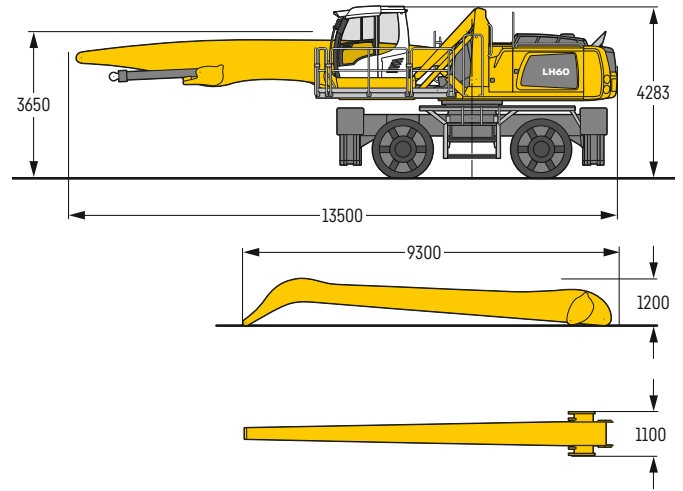
The lift capacities on the stick end without attachment are stated in metric tons (t) and are valid on a firm, level supporting surface with blocked oscillating axle. These capacities can be slewed through 360° with the undercarriage in the transverse position. Capacities in the longitudinal position of the undercarriage (±15°) are specified over the rigid axle with the stabilizers down. Indicated loads based on the ISO 10567 standard and do not exceed 75% of tipping or 87% of hydraulic capacity. The lift capacity values indicated are attained at the corresponding operating temperature. This operating temperature is ensured by continuous movement of the boom. Weights of fitted attachments (grabs, load hooks, etc.) and load accommodation attachment are to be deducted from the lift capacity values. The lift capacity of the unit is limited by its stability, the lifting capability of the hydraulic elements, or the maximum permissible lifting capacity of the load hook. In accordance with the harmonised European Standard EN 474-5, hydraulic excavators used for lifting operations must be equipped with pipe fracture safety valves, an overload warning device, a load hook and a lift capacity chart.

# LH 60 M – Equipment GA18

## Industry – Kinematic 2A



### Dimensions



### Operating weight

The operating weight includes the basic machine with 4 point outriggers, hydr. cab elevation, 4 solid tyres, straight boom 9.50 m, angled stick 8.80 m and multi-tine grab GMM 80-5/1.10 m<sup>3</sup> semi-closed tines.

Weight 59,700 kg

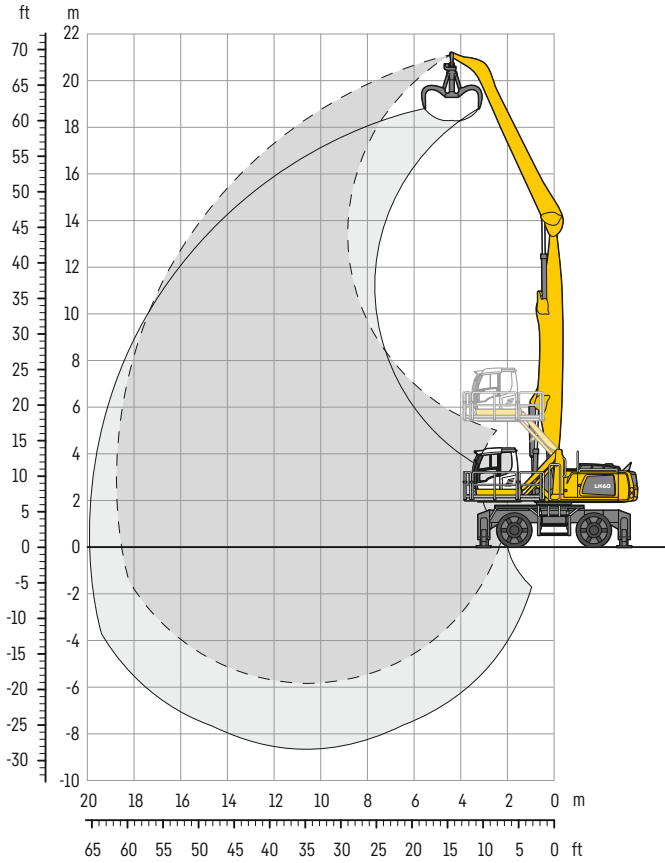
m	Undercarriage	6.0m		7.5m		9.0m		10.5m		12.0m		13.5m		15.0m		16.5m		18.0m		19.5m		m		
		☞	☞	☞	☞	☞	☞	☞	☞	☞	☞	☞	☞	☞	☞	☞	☞	☞	☞	☞	☞	☞	☞	
21.0	4 pt. outriggers down																					9.2*	9.2*	6.5
19.5	4 pt. outriggers down	9.9*	9.9*																			7.2*	7.2*	9.5
18.0	4 pt. outriggers down			9.8*	9.8*	8.0*	8.0*															6.3*	6.3*	11.5
16.5	4 pt. outriggers down					9.5*	9.5*	8.0*	8.0*													5.8*	5.8*	13.1
15.0	4 pt. outriggers down					10.1*	10.1*	9.2*	9.2*	7.7*	7.7*											5.5*	5.5*	14.3
13.5	4 pt. outriggers down					10.2*	10.2*	9.4*	9.4*	8.7*	8.7*	7.1*	7.1*									5.2*	5.2*	15.3
12.0	4 pt. outriggers down					10.2*	10.2*	9.3*	9.3*	8.6*	8.6*	8.0*	8.0*	6.1*	6.1*							5.1*	5.1*	16.1
10.5	4 pt. outriggers down					10.3*	10.3*	9.4*	9.4*	8.6*	8.6*	8.0*	8.0*	7.5*	7.5*							5.0*	5.0*	16.7
9.0	4 pt. outriggers down					10.6*	10.6*	9.5*	9.5*	8.7*	8.7*	8.0*	8.0*	7.5*	7.5*	5.7*	5.7*					5.0*	5.0*	17.2
7.5	4 pt. outriggers down			11.5*	11.5*	11.0*	11.0*	9.8*	9.8*	8.9*	8.9*	8.2*	8.2*	7.5*	7.5*	6.9*	6.9*					5.0*	5.0*	17.5
6.0	4 pt. outriggers down	11.1*	11.1*	13.1*	13.1*	11.5*	11.5*	10.2*	10.2*	9.1*	9.1*	8.3*	8.3*	7.6*	7.6*	6.9	6.9*					5.1*	5.1*	17.7
4.5	4 pt. outriggers down	15.2*	15.2*	14.1*	14.1*	12.1*	12.1*	10.5*	10.5*	9.4*	9.4*	8.4*	8.4*	7.6*	7.6*	6.8	6.9*					5.2*	5.2*	17.8
3.0	4 pt. outriggers down	18.8*	18.8*	15.1*	15.1*	12.6*	12.6*	10.9*	10.9*	9.6*	9.6*	8.6*	8.6*	7.7*	7.7*	6.7	6.8*					5.4*	5.4*	17.7
1.5	4 pt. outriggers down	20.0*	20.0*	15.8*	15.8*	13.1*	13.1*	11.2*	11.2*	9.8*	9.8*	8.6*	8.6*	7.6*	7.6*	6.6	6.6*					5.2*	5.2*	17.5
0	4 pt. outriggers down	20.7*	20.7*	16.3*	16.3*	13.4*	13.4*	11.3*	11.3*	9.8*	9.8*	8.5*	8.5*	7.4*	7.4*	6.3*	6.3*					4.8*	4.8*	17.2
-1.5	4 pt. outriggers down	15.8*	15.8*	16.2*	16.2*	13.3*	13.3*	11.2*	11.2*	9.6*	9.6*	8.3*	8.3*	7.1*	7.1*	5.7*	5.7*					5.2*	5.2*	16.0
-3.0	4 pt. outriggers down	14.4*	14.4*	15.4*	15.4*	12.7*	12.7*	10.7*	10.7*	9.1*	9.1*	7.7*	7.7*	6.3*	6.3*							6.0*	6.0*	14.2
-4.5	4 pt. outriggers down	14.5*	14.5*	13.8*	13.8*	11.6*	11.6*	9.7*	9.7*	8.2*	8.2*	6.7*	6.7*											

☞ Height ☞ Can be slewed through 360° ☞ In longitudinal position of undercarriage ☞ Max. reach \* Limited by hydr. capacity

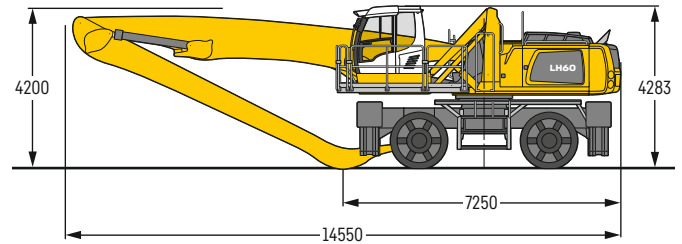
The lift capacities on the stick end without attachment are stated in metric tons (t) and are valid on a firm, level supporting surface with blocked oscillating axle. These capacities can be slewed through 360° with the undercarriage in the transverse position. Capacities in the longitudinal position of the undercarriage (±15°) are specified over the rigid axle with the stabilizers down. Indicated loads based on the ISO 10567 standard and do not exceed 75% of tipping or 87% of hydraulic capacity. The lift capacity values indicated are attained at the corresponding operating temperature. This operating temperature is ensured by continuous movement of the boom. Weights of fitted attachments (grabs, load hooks, etc.) and load accommodation attachment are to be deducted from the lift capacity values. The lift capacity of the unit is limited by its stability, the lifting capability of the hydraulic elements, or the maximum permissible lifting capacity of the load hook. In accordance with the harmonised European Standard EN 474-5, hydraulic excavators used for lifting operations must be equipped with pipe fracture safety valves, an overload warning device, a load hook and a lift capacity chart.

# LH 60 M – Equipment GA19

## Industry – Kinematic 2A



### Dimensions



### Operating weight

The operating weight includes the basic machine with 4 point outriggers, hydr. cab elevation, 4 solid tyres, straight boom 10.50 m, angled stick 8.80 m and multi-tine grab GMM 80-5/1.10 m<sup>3</sup> semi-closed tines.

Weight 60,200 kg

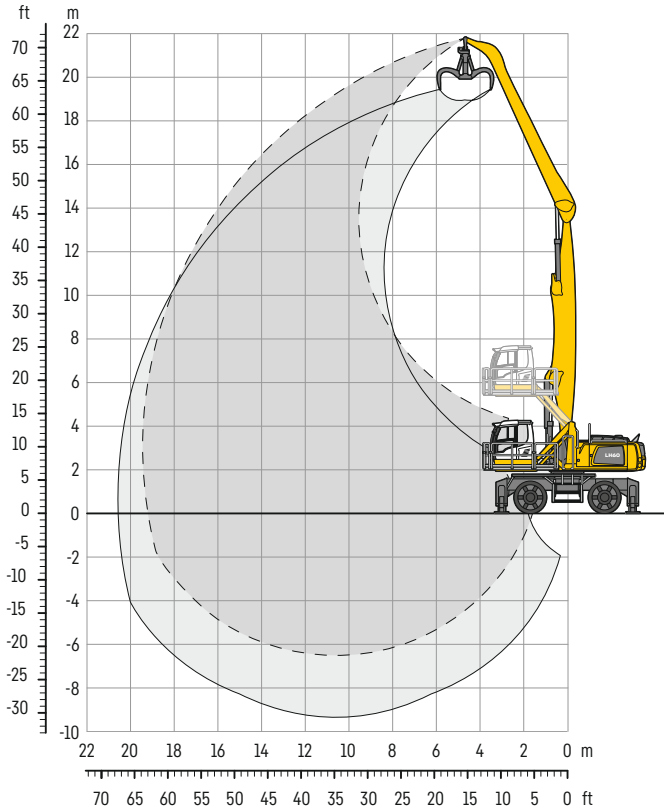
m	Undercarriage	6.0m		7.5m		9.0m		10.5m		12.0m		13.5m		15.0m		16.5m		18.0m		19.5m		m		
		360°	360°	360°	360°	360°	360°	360°	360°	360°	360°	360°	360°	360°	360°	360°	360°	360°	360°	360°	360°	360°	360°	360°
21.0	4 pt. outriggers down																					10.6*	10.6*	5.0
19.5	4 pt. outriggers down			9.4*	9.4*																	7.7*	7.7*	8.8
18.0	4 pt. outriggers down					9.3*	9.3*	7.7*	7.7*													6.6*	6.6*	11.2
16.5	4 pt. outriggers down					10.0*	10.0*	9.1*	9.1*	7.6*	7.6*											6.0*	6.0*	13.0
15.0	4 pt. outriggers down					10.3*	10.3*	9.2*	9.2*	8.4*	8.4*	7.2*	7.2*									5.6*	5.6*	14.4
13.5	4 pt. outriggers down					10.2*	10.2*	9.1*	9.1*	8.3*	8.3*	7.7*	7.7*	6.5*	6.5*							5.3*	5.3*	15.5
12.0	4 pt. outriggers down					10.2*	10.2*	9.2*	9.2*	8.3*	8.3*	7.6*	7.6*	7.1*	7.1*							5.2*	5.2*	16.4
10.5	4 pt. outriggers down					10.4*	10.4*	9.3*	9.3*	8.4*	8.4*	7.7*	7.7*	7.1*	7.1*	6.5*	6.5*					5.1*	5.1*	17.2
9.0	4 pt. outriggers down					10.6*	10.6*	9.5*	9.5*	8.5*	8.5*	7.8*	7.8*	7.1*	7.1*	6.5*	6.5*					5.0*	5.0*	17.8
7.5	4 pt. outriggers down			12.3*	12.3*	11.0*	11.0*	9.7*	9.7*	8.7*	8.7*	7.9*	7.9*	7.2*	7.2*	6.6*	6.6*		5.6*	5.6*		5.0*	5.0*	18.2
6.0	4 pt. outriggers down	13.0*	13.0*	13.5*	13.5*	11.5*	11.5*	10.0*	10.0*	8.9*	8.9*	8.0*	8.0*	7.2*	7.2*	6.6*	6.6*		5.8	5.9*		5.0*	5.0*	18.5
4.5	4 pt. outriggers down	17.7*	17.7*	14.3*	14.3*	12.0*	12.0*	10.3*	10.3*	9.1*	9.1*	8.1*	8.1*	7.3*	7.3*	6.6*	6.6*		5.7	5.8*		5.1*	5.1*	18.7
3.0	4 pt. outriggers down	18.9*	18.9*	15.0*	15.0*	12.4*	12.4*	10.6*	10.6*	9.3*	9.3*	8.2*	8.2*	7.3*	7.3*	6.5	6.5*		5.6	5.7*		5.1*	5.1*	18.8
1.5	4 pt. outriggers down	18.3*	18.3*	15.5*	15.5*	12.7*	12.7*	10.8*	10.8*	9.3*	9.3*	8.2*	8.2*	7.3*	7.3*	6.3	6.4*		5.5	5.5*		4.9*	4.9*	18.7
0	4 pt. outriggers down	11.1*	11.1*	15.6*	15.6*	12.8*	12.8*	10.8*	10.8*	9.3*	9.3*	8.1*	8.1*	7.1*	7.1*	6.1*	6.1*		5.0*	5.0*		4.5*	4.5*	18.5
-1.5	4 pt. outriggers down	9.8*	9.8*	15.2*	15.2*	12.5*	12.5*	10.6*	10.6*	9.1*	9.1*	7.9*	7.9*	6.8*	6.8*	5.7*	5.7*		4.3*	4.3*		4.1*	4.1*	18.2
-3.0	4 pt. outriggers down	10.0*	10.0*	14.1*	14.1*	11.9*	11.9*	10.1*	10.1*	8.6*	8.6*	7.4*	7.4*	6.2*	6.2*	5.0*	5.0*					4.5*	4.5*	17.0
-4.5	4 pt. outriggers down			12.4*	12.4*	10.6*	10.6*	9.1*	9.1*	7.7*	7.7*	6.5*	6.5*	5.2*	5.2*							5.1*	5.1*	15.2

Height Can be slewed through 360° In longitudinal position of undercarriage Max. reach \* Limited by hydr. capacity

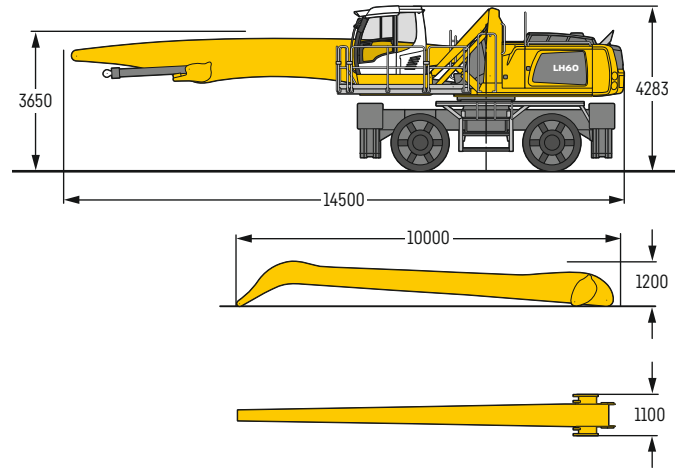
The lift capacities on the stick end without attachment are stated in metric tons (t) and are valid on a firm, level supporting surface with blocked oscillating axle. These capacities can be slewed through 360° with the undercarriage in the transverse position. Capacities in the longitudinal position of the undercarriage (±15°) are specified over the rigid axle with the stabilizers down. Indicated loads based on the ISO 10567 standard and do not exceed 75% of tipping or 87% of hydraulic capacity. The lift capacity values indicated are attained at the corresponding operating temperature. This operating temperature is ensured by continuous movement of the boom. Weights of fitted attachments (grabs, load hooks, etc.) and load accommodation attachment are to be deducted from the lift capacity values. The lift capacity of the unit is limited by its stability, the lifting capability of the hydraulic elements, or the maximum permissible lifting capacity of the load hook. In accordance with the harmonised European Standard EN 474-5, hydraulic excavators used for lifting operations must be equipped with pipe fracture safety valves, an overload warning device, a load hook and a lift capacity chart.

# LH 60 M – Equipment GA20

## Industry – Kinematic 2A



### Dimensions



### Operating weight

The operating weight includes the basic machine with 4 point outriggers, hydr. cab elevation, 4 solid tyres, straight boom 10.50 m, angled stick 9.50 m and multi-tine grab GMM 80-5/1.10 m<sup>3</sup> semi-closed tines.

Weight 60,500 kg

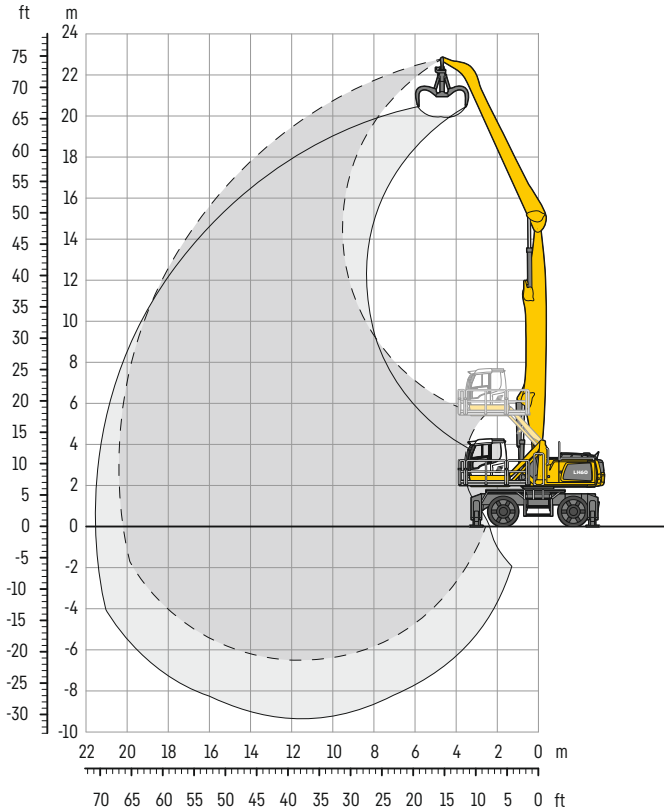
m	Undercarriage	6.0m		7.5m		9.0m		10.5m		12.0m		13.5m		15.0m		16.5m		18.0m		19.5m		m		
		360°	15°	360°	15°	360°	15°	360°	15°	360°	15°	360°	15°	360°	15°	360°	15°	360°	15°	360°	15°	360°	15°	
22.5	4 pt. outriggers down																							
21.0	4 pt. outriggers down	9.7*	9.7*																			8.2*	8.2*	7.2
19.5	4 pt. outriggers down			9.4*	9.4*	8.1*	8.1*															6.6*	6.6*	10.2
18.0	4 pt. outriggers down					9.1*	9.1*	8.0*	8.0*	6.3*	6.3*											5.8*	5.8*	12.3
16.5	4 pt. outriggers down							8.8*	8.8*	7.8*	7.8*	6.1*	6.1*									5.3*	5.3*	14.0
15.0	4 pt. outriggers down							8.8*	8.8*	8.1*	8.1*	7.4*	7.4*	5.5*	5.5*							5.0*	5.0*	15.3
13.5	4 pt. outriggers down							8.8*	8.8*	8.0*	8.0*	7.4*	7.4*	6.8*	6.8*							4.8*	4.8*	16.3
12.0	4 pt. outriggers down							8.8*	8.8*	8.0*	8.0*	7.3*	7.3*	6.8*	6.8*	6.0*	6.0*					4.6*	4.6*	17.2
10.5	4 pt. outriggers down							8.9*	8.9*	8.1*	8.1*	7.4*	7.4*	6.8*	6.8*	6.3*	6.3*					4.5*	4.5*	17.9
9.0	4 pt. outriggers down					10.2*	10.2*	9.1*	9.1*	8.2*	8.2*	7.5*	7.5*	6.8*	6.8*	6.3*	6.3*	5.6*	5.6*			4.5*	4.5*	18.5
7.5	4 pt. outriggers down			10.3*	10.3*	10.6*	10.6*	9.3*	9.3*	8.4*	8.4*	7.6*	7.6*	6.9*	6.9*	6.3*	6.3*	5.8*	5.8*			4.5*	4.5*	18.9
6.0	4 pt. outriggers down	10.0*	10.0*	12.0*	12.0*	11.0*	11.0*	9.6*	9.6*	8.6*	8.6*	7.7*	7.7*	7.0*	7.0*	6.4*	6.4*	5.7*	5.8*			4.5*	4.5*	19.2
4.5	4 pt. outriggers down	14.8*	14.8*	13.7*	13.7*	11.5*	11.5*	10.0*	10.0*	8.8*	8.8*	7.8*	7.8*	7.0*	7.0*	6.4*	6.4*	5.6*	5.7*			4.6*	4.6*	19.4
3.0	4 pt. outriggers down	18.1*	18.1*	14.4*	14.4*	12.0*	12.0*	10.3*	10.3*	9.0*	9.0*	7.9*	7.9*	7.1*	7.1*	6.4*	6.4*	5.5*	5.6*			4.6*	4.6*	19.4
1.5	4 pt. outriggers down	19.1*	19.1*	15.0*	15.0*	12.4*	12.4*	10.5*	10.5*	9.1*	9.1*	8.0*	8.0*	7.1*	7.1*	6.3*	6.3*	5.4*	5.5*			4.5*	4.5*	19.4
0	4 pt. outriggers down	13.5*	13.5*	15.3*	15.3*	12.5*	12.5*	10.6*	10.6*	9.1*	9.1*	8.0*	8.0*	7.0*	7.0*	6.1*	6.1*	5.2*	5.2*			4.2*	4.2*	19.2
-1.5	4 pt. outriggers down	10.5*	10.5*	15.1*	15.1*	12.4*	12.4*	10.5*	10.5*	9.0*	9.0*	7.8*	7.8*	6.8*	6.8*	5.8*	5.8*	4.7*	4.7*			3.8*	3.8*	18.9
-3.0	4 pt. outriggers down	10.1*	10.1*	14.4*	14.4*	11.9*	11.9*	10.1*	10.1*	8.6*	8.6*	7.4*	7.4*	6.3*	6.3*	5.3*	5.3*					4.0*	4.0*	18.0
-4.5	4 pt. outriggers down	10.5*	10.5*	13.0*	13.0*	11.0*	11.0*	9.3*	9.3*	7.9*	7.9*	6.7*	6.7*	5.6*	5.6*							4.4*	4.4*	16.4
-6.0	4 pt. outriggers down					9.4*	9.4*	8.0*	8.0*	6.8*	6.8*	5.6*	5.6*									5.6*	5.6*	13.6

Height Can be slewed through 360° In longitudinal position of undercarriage Max. reach \* Limited by hydr. capacity

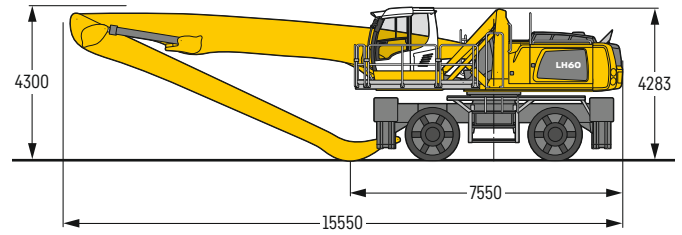
The lift capacities on the stick end without attachment are stated in metric tons (t) and are valid on a firm, level supporting surface with blocked oscillating axle. These capacities can be slewed through 360° with the undercarriage in the transverse position. Capacities in the longitudinal position of the undercarriage (±15°) are specified over the rigid axle with the stabilizers down. Indicated loads based on the ISO 10567 standard and do not exceed 75% of tipping or 87% of hydraulic capacity. The lift capacity values indicated are attained at the corresponding operating temperature. This operating temperature is ensured by continuous movement of the boom. Weights of fitted attachments (grabs, load hooks, etc.) and load accommodation attachment are to be deducted from the lift capacity values. The lift capacity of the unit is limited by its stability, the lifting capability of the hydraulic elements, or the maximum permissible lifting capacity of the load hook. In accordance with the harmonised European Standard EN 474-5, hydraulic excavators used for lifting operations must be equipped with pipe fracture safety valves, an overload warning device, a load hook and a lift capacity chart.

# LH 60 M – Equipment GA21

## Industry – Kinematic 2A



### Dimensions



### Operating weight

The operating weight includes the basic machine with 4 point outriggers, hydr. cab elevation, 4 solid tyres, straight boom 11.50 m, angled stick 9.50 m and multi-tine grab GMM 80-5/ 0.90 m<sup>3</sup> semi-closed tines.

Weight 60,800 kg

m	Undercarriage	6.0m		7.5m		9.0m		10.5m		12.0m		13.5m		15.0m		16.5m		18.0m		19.5m		m		
		360°	15°	360°	15°	360°	15°	360°	15°	360°	15°	360°	15°	360°	15°	360°	15°	360°	15°	360°	15°	360°	15°	
22.5	4 pt. outriggers down																				9.4*	9.4*	5.8	
21.0	4 pt. outriggers down			9.1*	9.1*	7.7*	7.7*														7.0*	7.0*	9.5	
19.5	4 pt. outriggers down					8.9*	8.9*	7.8*	7.8*												6.0*	6.0*	12.0	
18.0	4 pt. outriggers down					9.4*	9.4*	8.6*	8.6*	7.6*	7.6*	6.0*	6.0*								5.5*	5.5*	13.8	
16.5	4 pt. outriggers down							8.8*	8.8*	7.9*	7.9*	7.2*	7.2*	5.6*	5.6*						5.1*	5.1*	15.3	
15.0	4 pt. outriggers down							8.7*	8.7*	7.8*	7.8*	7.1*	7.1*	6.5*	6.5*						4.9*	4.9*	16.5	
13.5	4 pt. outriggers down							8.7*	8.7*	7.8*	7.8*	7.1*	7.1*	6.5*	6.5*	5.9*	5.9*				4.7*	4.7*	17.5	
12.0	4 pt. outriggers down							8.7*	8.7*	7.8*	7.8*	7.1*	7.1*	6.5*	6.5*	5.9*	5.9*	5.2*	5.2*		4.6*	4.6*	18.3	
10.5	4 pt. outriggers down					10.1*	10.1*	8.8*	8.8*	7.9*	7.9*	7.1*	7.1*	6.5*	6.5*	5.9*	5.9*	5.4*	5.4*		4.5*	4.5*	19.0	
9.0	4 pt. outriggers down					10.3*	10.3*	9.0*	9.0*	8.0*	8.0*	7.2*	7.2*	6.5*	6.5*	5.9*	5.9*	5.4*	5.4*	4.5*	4.5*	4.5*	4.5*	19.5
7.5	4 pt. outriggers down			11.2*	11.2*	10.6*	10.6*	9.2*	9.2*	8.1*	8.1*	7.3*	7.3*	6.6*	6.6*	6.0*	6.0*	5.4*	5.4*	4.8	4.9*	4.5*	4.5*	19.9
6.0	4 pt. outriggers down	12.2*	12.2*	13.1*	13.1*	11.0*	11.0*	9.5*	9.5*	8.3*	8.3*	7.4*	7.4*	6.6*	6.6*	6.0*	6.0*	5.4*	5.4*	4.7	4.8*	4.4	4.5*	20.2
4.5	4 pt. outriggers down	17.2*	17.2*	13.7*	13.7*	11.3*	11.3*	9.7*	9.7*	8.4*	8.4*	7.5*	7.5*	6.7*	6.7*	6.0*	6.0*	5.4*	5.4*	4.7	4.8*	4.3	4.3*	20.4
3.0	4 pt. outriggers down	18.0*	18.0*	14.1*	14.1*	11.6*	11.6*	9.9*	9.9*	8.6*	8.6*	7.5*	7.5*	6.7*	6.7*	6.0*	6.0*	5.3	5.3*	4.6	4.6*	4.1*	4.1*	20.4
1.5	4 pt. outriggers down	10.4*	10.4*	14.4*	14.4*	11.8*	11.8*	10.0*	10.0*	8.6*	8.6*	7.5*	7.5*	6.7*	6.7*	5.9*	5.9*	5.2	5.2*	4.4*	4.4*	3.8*	3.8*	20.4
0	4 pt. outriggers down	7.3*	7.3*	14.4*	14.4*	11.8*	11.8*	10.0*	10.0*	8.6*	8.6*	7.5*	7.5*	6.5*	6.5*	5.7*	5.7*	5.0*	5.0*	4.1*	4.1*	3.5*	3.5*	20.2
-1.5	4 pt. outriggers down	6.9*	6.9*	13.4*	13.4*	11.5*	11.5*	9.7*	9.7*	8.4*	8.4*	7.3*	7.3*	6.3*	6.3*	5.5*	5.5*	4.6*	4.6*	3.6*	3.6*	3.2*	3.2*	19.9
-3.0	4 pt. outriggers down	7.2*	7.2*	12.3*	12.3*	10.9*	10.9*	9.3*	9.3*	8.0*	8.0*	6.9*	6.9*	5.9*	5.9*	5.0*	5.0*	4.1*	4.1*			3.3*	3.3*	19.0
-4.5	4 pt. outriggers down	8.0*	8.0*	11.4*	11.4*	9.8*	9.8*	8.4*	8.4*	7.3*	7.3*	6.2*	6.2*	5.3*	5.3*	4.3*	4.3*					3.7*	3.7*	17.4
-6.0	4 pt. outriggers down					8.2*	8.2*	7.2*	7.2*	6.2*	6.2*	5.3*	5.3*									4.6*	4.6*	14.6

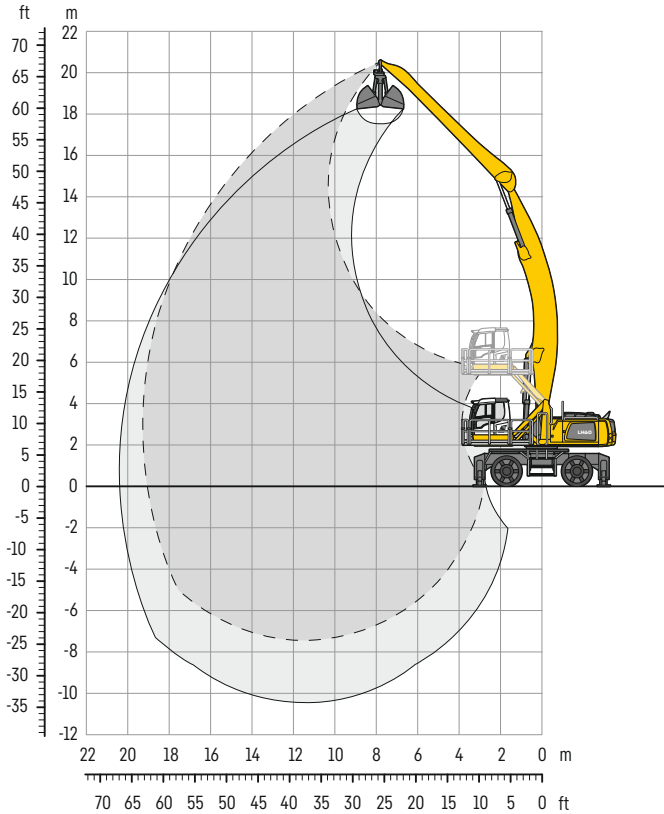
Height Can be slewed through 360° In longitudinal position of undercarriage Max. reach \* Limited by hydr. capacity

The lift capacities on the stick end without attachment are stated in metric tons (t) and are valid on a firm, level supporting surface with blocked oscillating axle. These capacities can be slewed through 360° with the undercarriage in the transverse position. Capacities in the longitudinal position of the undercarriage (±15°) are specified over the rigid axle with the stabilizers down. Indicated loads based on the ISO 10567 standard and do not exceed 75% of tipping or 87% of hydraulic capacity. The lift capacity values indicated are attained at the corresponding operating temperature. This operating temperature is ensured by continuous movement of the boom. Weights of fitted attachments (grabs, load hooks, etc.) and load accommodation attachment are to be deducted from the lift capacity values. The lift capacity of the unit is limited by its stability, the lifting capability of the hydraulic elements, or the maximum permissible lifting capacity of the load hook.

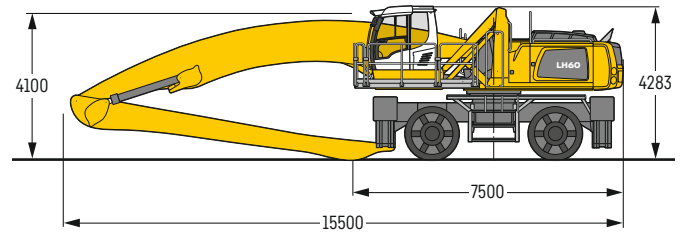
In accordance with the harmonised European Standard EN 474-5, hydraulic excavators used for lifting operations must be equipped with pipe fracture safety valves, an overload warning device, a load hook and a lift capacity chart.

# LH 60 M – Equipment AG19

## Industry – Kinematic 2D



### Dimensions



### Operating weight

The operating weight includes the basic machine with 4 point outriggers, hydr. cab elevation, 4 solid tyres, angled boom 11.50 m, straight stick 8.80 m and grab for loose material GM 20C / 2.00 m<sup>3</sup>.

Weight 60,800 kg

m	Undercarriage	6.0m		7.5m		9.0m		10.5m		12.0m		13.5m		15.0m		16.5m		18.0m		19.5m		m		
		4 pt. outriggers down	4 pt. outriggers down	4 pt. outriggers down	4 pt. outriggers down	4 pt. outriggers down	4 pt. outriggers down	4 pt. outriggers down	4 pt. outriggers down	4 pt. outriggers down	4 pt. outriggers down	4 pt. outriggers down	4 pt. outriggers down	4 pt. outriggers down	4 pt. outriggers down	4 pt. outriggers down	4 pt. outriggers down	4 pt. outriggers down	4 pt. outriggers down	4 pt. outriggers down	4 pt. outriggers down	4 pt. outriggers down	4 pt. outriggers down	4 pt. outriggers down
21.0	4 pt. outriggers down																							
19.5	4 pt. outriggers down					7.7*	7.7*															6.6*	6.6*	9.9
18.0	4 pt. outriggers down							7.8*	7.8*	6.1*	6.1*											5.9*	5.9*	12.1
16.5	4 pt. outriggers down							7.8*	7.8*	7.1*	7.1*	5.9*	5.9*									5.6*	5.6*	13.7
15.0	4 pt. outriggers down							7.7*	7.7*	7.0*	7.0*	6.5*	6.5*	5.5*	5.5*							5.3*	5.3*	15.1
13.5	4 pt. outriggers down							7.7*	7.7*	7.0*	7.0*	6.4*	6.4*	6.0*	6.0*							5.2*	5.2*	16.2
12.0	4 pt. outriggers down							7.8*	7.8*	7.0*	7.0*	6.4*	6.4*	6.0*	6.0*	5.6*	5.6*					5.1*	5.1*	17.1
10.5	4 pt. outriggers down							7.9*	7.9*	7.1*	7.1*	6.5*	6.5*	6.0*	6.0*	5.6*	5.6*					5.0*	5.0*	17.8
9.0	4 pt. outriggers down					9.2*	9.2*	8.1*	8.1*	7.3*	7.3*	6.6*	6.6*	6.1*	6.1*	5.6*	5.6*	5.2*	5.2*			5.0*	5.0*	18.3
7.5	4 pt. outriggers down			11.3*	11.3*	9.6*	9.6*	8.4*	8.4*	7.5*	7.5*	6.7*	6.7*	6.1*	6.1*	5.6*	5.6*	5.2*	5.2*			5.0*	5.0*	18.8
6.0	4 pt. outriggers down	14.7*	14.7*	11.9*	11.9*	10.0*	10.0*	8.7*	8.7*	7.7*	7.7*	6.9*	6.9*	6.2*	6.2*	5.7*	5.7*	5.3*	5.3*			5.0*	5.0*	19.1
4.5	4 pt. outriggers down	15.9*	15.9*	12.6*	12.6*	10.5*	10.5*	9.0*	9.0*	7.9*	7.9*	7.0*	7.0*	6.3*	6.3*	5.8*	5.8*	5.3*	5.3*			4.9*	4.9*	19.2
3.0	4 pt. outriggers down	16.9*	16.9*	13.3*	13.3*	10.9*	10.9*	9.3*	9.3*	8.1*	8.1*	7.2*	7.2*	6.4*	6.4*	5.8*	5.8*	5.3*	5.3*			4.8*	4.8*	19.3
1.5	4 pt. outriggers down	10.2*	10.2*	13.8*	13.8*	11.3*	11.3*	9.5*	9.5*	8.3*	8.3*	7.3*	7.3*	6.5*	6.5*	5.8*	5.8*	5.3*	5.3*			4.7*	4.8*	19.2
0	4 pt. outriggers down	8.2*	8.2*	14.0*	14.0*	11.5*	11.5*	9.7*	9.7*	8.4*	8.4*	7.3*	7.3*	6.5*	6.5*	5.8*	5.8*	5.2*	5.2*			4.7*	4.7*	19.0
-1.5	4 pt. outriggers down	7.9*	7.9*	13.9*	13.9*	11.5*	11.5*	9.7*	9.7*	8.4*	8.4*	7.3*	7.3*	6.5*	6.5*	5.7*	5.7*	5.0*	5.0*			4.6*	4.6*	18.7
-3.0	4 pt. outriggers down	8.3*	8.3*	13.0*	13.0*	11.2*	11.2*	9.5*	9.5*	8.2*	8.2*	7.2*	7.2*	6.3*	6.3*	5.5*	5.5*	4.6*	4.6*			4.4*	4.4*	18.3
-4.5	4 pt. outriggers down	9.0*	9.0*	12.6*	12.6*	10.7*	10.7*	9.1*	9.1*	7.9*	7.9*	6.8*	6.8*	5.9*	5.9*	5.0*	5.0*					4.2*	4.2*	17.8
-6.0	4 pt. outriggers down			11.3*	11.3*	9.7*	9.7*	8.4*	8.4*	7.3*	7.3*	6.3*	6.3*	5.3*	5.3*							4.5*	4.5*	16.2
-7.5	4 pt. outriggers down																							

Height Can be slewed through 360° In longitudinal position of undercarriage Max. reach \* Limited by hydr. capacity

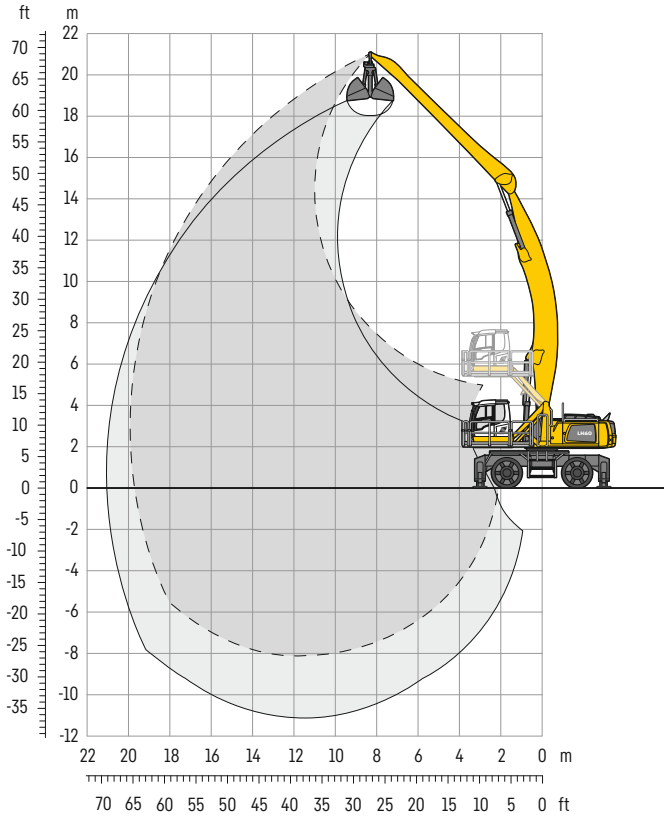
The lift capacities on the stick end without attachment are stated in metric tons (t) and are valid on a firm, level supporting surface with blocked oscillating axle. These capacities can be slewed through 360° with the undercarriage in the transverse position. Capacities in the longitudinal position of the undercarriage (±15°) are specified over the rigid axle with the stabilizers down. Indicated loads based on the ISO 10567 standard and do not exceed 75% of tipping or 87% of hydraulic capacity. The lift capacity values indicated are attained at the corresponding operating temperature. This operating temperature is ensured by continuous movement of the boom. Weights of fitted attachments (grabs, load hooks, etc.) and load accommodation attachment are to be deducted from the lift capacity values. The lift capacity of the unit is limited by its stability, the lifting capability of the hydraulic elements, or the maximum permissible lifting capacity of the load hook.

In accordance with the harmonised European Standard EN 474-5, hydraulic excavators used for lifting operations must be equipped with pipe fracture safety valves, an overload warning device, a load hook and a lift capacity chart.

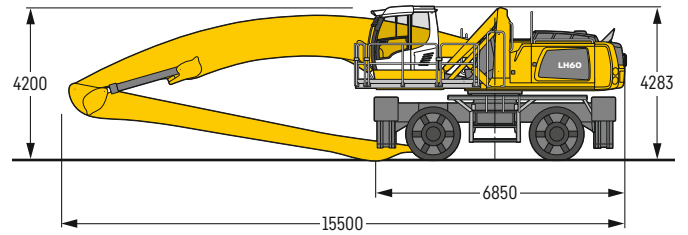


# LH 60 M – Equipment AG20

## Industry – Kinematic 2D



### Dimensions



### Operating weight

The operating weight includes the basic machine with 4 point outriggers, hydr. cab elevation, 4 solid tyres, angled boom 11.50 m, straight stick 9.50 m and grab for loose material GM 20C / 2.00 m<sup>3</sup>.

Weight 61,100 kg

m	Undercarriage	6.0m		7.5m		9.0m		10.5m		12.0m		13.5m		15.0m		16.5m		18.0m		19.5m		m		
		360°	15°	360°	15°	360°	15°	360°	15°	360°	15°	360°	15°	360°	15°	360°	15°	360°	15°	360°	15°	360°	15°	
21.0	4 pt. outriggers down							6.5*	6.5*													6.7*	6.7*	8.5
19.5	4 pt. outriggers down							6.5*	6.5*	6.5*	6.5*											5.8*	5.8*	11.1
18.0	4 pt. outriggers down							7.6*	7.6*	6.5*	6.5*											5.3*	5.3*	13.1
16.5	4 pt. outriggers down									6.8*	6.8*	6.2*	6.2*									4.9*	4.9*	14.6
15.0	4 pt. outriggers down									6.7*	6.7*	6.7*	6.7*	5.7*	5.7*							4.7*	4.7*	15.9
13.5	4 pt. outriggers down									6.7*	6.7*	6.1*	6.1*	5.7*	5.7*	5.3*	5.3*					4.6*	4.6*	16.9
12.0	4 pt. outriggers down									6.7*	6.7*	6.2*	6.2*	5.7*	5.7*	5.3*	5.3*					4.5*	4.5*	17.8
10.5	4 pt. outriggers down							7.6*	7.6*	6.8*	6.8*	6.2*	6.2*	5.7*	5.7*	5.3*	5.3*	4.9*	4.9*			4.5*	4.5*	18.5
9.0	4 pt. outriggers down							7.8*	7.8*	7.0*	7.0*	6.3*	6.3*	5.8*	5.8*	5.3*	5.3*	5.0*	5.0*			4.5*	4.5*	19.0
7.5	4 pt. outriggers down					9.2*	9.2*	8.0*	8.0*	7.1*	7.1*	6.4*	6.4*	5.9*	5.9*	5.4*	5.4*	5.0*	5.0*			4.5*	4.5*	19.4
6.0	4 pt. outriggers down	14.0*	14.0*	11.4*	11.4*	9.6*	9.6*	8.3*	8.3*	7.3*	7.3*	6.6*	6.6*	6.0*	6.0*	5.5*	5.5*	5.0*	5.0*	4.6*	4.6*	4.6*	4.6*	19.7
4.5	4 pt. outriggers down	15.1*	15.1*	12.1*	12.1*	10.0*	10.0*	8.6*	8.6*	7.6*	7.6*	6.7*	6.7*	6.1*	6.1*	5.5*	5.5*	5.1*	5.1*	4.6*	4.6*	4.5*	4.5*	19.9
3.0	4 pt. outriggers down	16.2*	16.2*	12.7*	12.7*	10.5*	10.5*	8.9*	8.9*	7.8*	7.8*	6.9*	6.9*	6.2*	6.2*	5.6*	5.6*	5.1*	5.1*	4.6*	4.6*	4.4*	4.5*	19.9
1.5	4 pt. outriggers down	13.6*	13.6*	13.2*	13.2*	10.8*	10.8*	9.2*	9.2*	7.9*	7.9*	7.0*	7.0*	6.3*	6.3*	5.6*	5.6*	5.1*	5.1*	4.5*	4.5*	4.4*	4.4*	19.9
0	4 pt. outriggers down	9.3*	9.3*	13.6*	13.6*	11.1*	11.1*	9.4*	9.4*	8.1*	8.1*	7.1*	7.1*	6.3*	6.3*	5.6*	5.6*	5.0*	5.0*	4.4*	4.4*	4.3*	4.3*	19.7
-1.5	4 pt. outriggers down	8.3*	8.3*	13.7*	13.7*	11.2*	11.2*	9.4*	9.4*	8.1*	8.1*	7.1*	7.1*	6.3*	6.3*	5.6*	5.6*	4.9*	4.9*			4.2*	4.2*	19.4
-3.0	4 pt. outriggers down	8.3*	8.3*	13.4*	13.4*	11.1*	11.1*	9.4*	9.4*	8.0*	8.0*	7.0*	7.0*	6.2*	6.2*	5.4*	5.4*	4.7*	4.7*			4.1*	4.1*	19.0
-4.5	4 pt. outriggers down	8.8*	8.8*	12.7*	12.7*	10.7*	10.7*	9.1*	9.1*	7.8*	7.8*	6.8*	6.8*	5.9*	5.9*	5.1*	5.1*	4.2*	4.2*			3.9*	3.9*	18.5
-6.0	4 pt. outriggers down	9.4*	9.4*	11.7*	11.7*	9.9*	9.9*	8.5*	8.5*	7.3*	7.3*	6.3*	6.3*	5.4*	5.4*	4.5*	4.5*					3.9*	3.9*	17.4
-7.5	4 pt. outriggers down			8.8*	8.8*	7.6*	7.6*	6.5*	6.5*	5.6*	5.6*											4.8*	4.8*	14.8

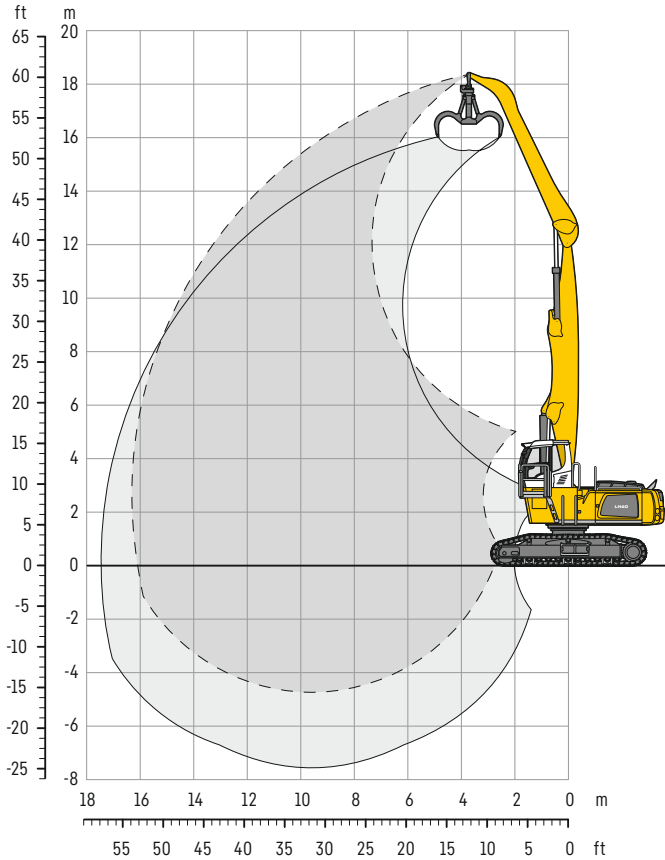
Height 
 Can be slewed through 360° 
 In longitudinal position of undercarriage 
 Max. reach 
 \* Limited by hydr. capacity

The lift capacities on the stick end without attachment are stated in metric tons (t) and are valid on a firm, level supporting surface with blocked oscillating axle. These capacities can be slewed through 360° with the undercarriage in the transverse position. Capacities in the longitudinal position of the undercarriage (±15°) are specified over the rigid axle with the stabilizers down. Indicated loads based on the ISO 10567 standard and do not exceed 75% of tipping or 87% of hydraulic capacity. The lift capacity values indicated are attained at the corresponding operating temperature. This operating temperature is ensured by continuous movement of the boom. Weights of fitted attachments (grabs, load hooks, etc.) and load accommodation attachment are to be deducted from the lift capacity values. The lift capacity of the unit is limited by its stability, the lifting capability of the hydraulic elements, or the maximum permissible lifting capacity of the load hook.

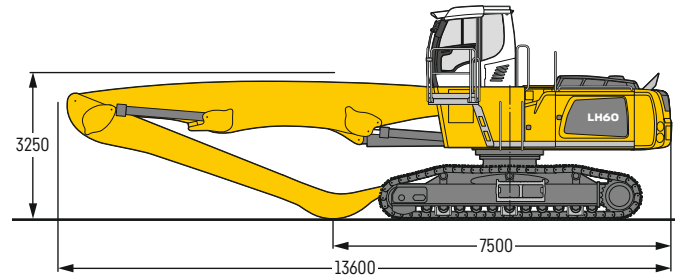
In accordance with the harmonised European Standard EN 474-5, hydraulic excavators used for lifting operations must be equipped with pipe fracture safety valves, an overload warning device, a load hook and a lift capacity chart.

# LH 60 C EW – Equipment GA16

## Industry – Kinematic 2A



### Dimensions



### Operating weight and ground pressure

The operating weight includes the basic machine with rigid cab elevation, straight boom 9.50 m, angled stick 7.30 m and multi-tine grab GMM 80-5/0.90 m<sup>3</sup> semi-closed tines.

Weight	54,800 kg
Pad width	600 mm
Ground pressure	on request

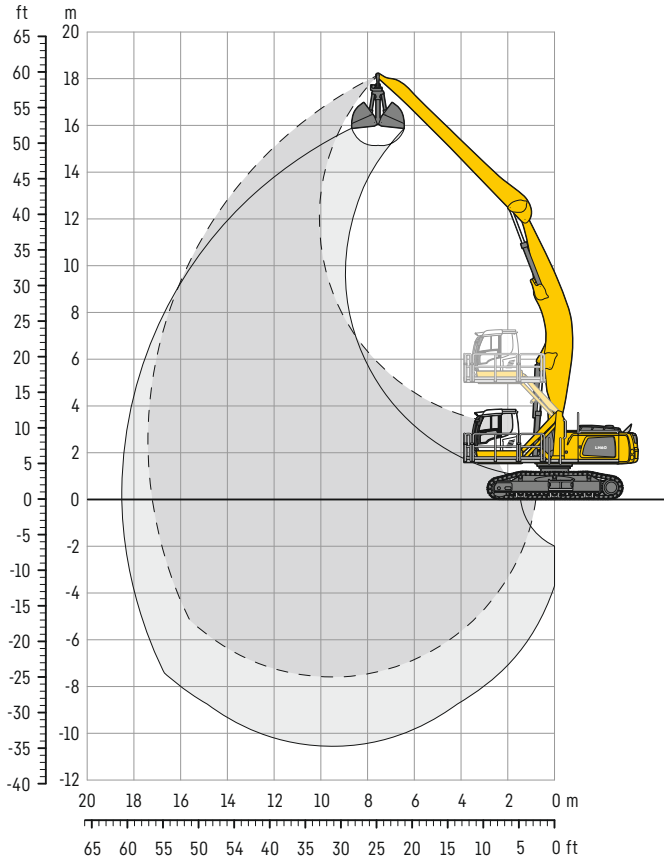
m	Undercarriage	6.0m		7.5m		9.0m		10.5m		12.0m		13.5m		15.0m		16.5m		18.0m		19.5m		m	
18.0	EW			10.6*	10.6*															11.8*	11.8*	5.1	
16.5	EW	12.5*	12.5*	10.6*	10.6*															8.9*	8.9*	8.4	
15.0	EW			11.6*	11.6*	10.2*	10.2*	7.8*	7.8*											7.8*	7.8*	10.5	
13.5	EW			11.3*	11.3*	10.0*	10.0*	9.0*	9.0*	7.4*	7.4*									7.1*	7.1*	12.1	
12.0	EW			11.2*	11.2*	9.9*	9.9*	8.9*	8.9*	8.1*	8.1*									6.8*	6.8*	13.3	
10.5	EW			11.2*	11.2*	9.9*	9.9*	8.9*	8.9*	8.1*	8.1*	7.3	7.5*							6.5*	6.5*	14.2	
9.0	EW			11.5*	11.5*	10.1*	10.1*	9.0*	9.0*	8.1*	8.1*	7.3	7.5*							6.0	6.4*	15.0	
7.5	EW	14.2*	14.2*	11.9*	11.9*	10.3*	10.3*	9.2*	9.2*	8.2*	8.2*	7.2	7.5*	6.0	6.8*					5.6	6.3*	15.5	
6.0	EW	15.2*	15.2*	12.5*	12.5*	10.7*	10.7*	9.4*	9.4*	8.4*	8.4*	7.1	7.6*	5.9	6.8*					5.3	6.2	15.9	
4.5	EW	16.3*	16.3*	13.2*	13.2*	11.2*	11.2*	9.7*	9.7*	8.3	8.5*	6.9	7.6*	5.8	6.8*					5.1	6.0	16.2	
3.0	EW	17.5*	17.5*	13.9*	13.9*	11.6*	11.6*	9.9	9.9*	8.0	8.7*	6.7	7.7*	5.7	6.7					4.9	5.8*	16.3	
1.5	EW	18.3*	18.3*	14.4*	14.4*	11.8	11.9*	9.4	10.1*	7.8	8.7*	6.5	7.6*	5.6	6.6*					4.9	5.5*	16.3	
0	EW	15.7*	15.7*	14.5*	14.5*	11.3	11.9*	9.1	10.1*	7.5	8.6*	6.4	7.4*	5.5	6.3*					4.9	5.1*	16.1	
-1.5	EW	13.7*	13.7*	14.0*	14.0*	10.9	11.6*	8.8	9.7*	7.4	8.3*	6.3	7.0*	5.4	5.6*					4.8*	4.8*	15.7	
-3.0	EW	13.9*	13.9*	12.8*	12.8*	10.7*	10.7*	8.7	9.0*	7.3	7.6*	6.2*	6.2*							5.3*	5.3*	14.3	
-4.5	EW					9.2*	9.2*	7.7*	7.7*											6.8*	6.8*	11.4	
-6.0	EW																						
-7.5	EW																						

Height Can be slewed through 360° In longitudinal position of undercarriage Max. reach \* Limited by hydr. capacity

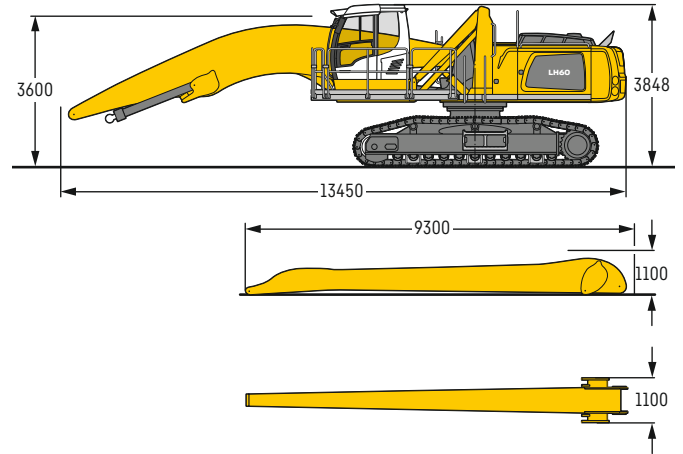
The lift capacities on the stick end without attachment are stated in metric tons (t) and can be slewed through 360° on a firm, level supporting surface. Capacities are valid for 600 mm wide triple grouser pads (resp. flat pads). Indicated loads based on the ISO 10567 standard and do not exceed 75% of tipping or 87% of hydraulic capacity. The lift capacity values indicated are attained at the corresponding operating temperature. This operating temperature is ensured by continuous movement of the boom. Weights of fitted attachments (grabs, load hooks, etc.) and load accommodation attachment are to be deducted from the lift capacity values. The lift capacity of the unit is limited by its stability, the lifting capability of the hydraulic elements, or the maximum permissible lifting capacity of the load hook. In accordance with the harmonised European Standard EN 474-5, hydraulic excavators used for lifting operations must be equipped with pipe fracture safety valves, an overload warning device, a load hook and a lift capacity chart.

# LH 60 C EW – Equipment AG17

## Industry – Kinematic 2D



### Dimensions



### Operating weight and ground pressure

The operating weight includes the basic machine with hydr. cab elevation, angled boom 9.50 m, straight stick 8.80 m and grab for loose material GM 20C /1.50 m<sup>3</sup>.

Weight	56,300 kg
Pad width	600 mm
Ground pressure	on request

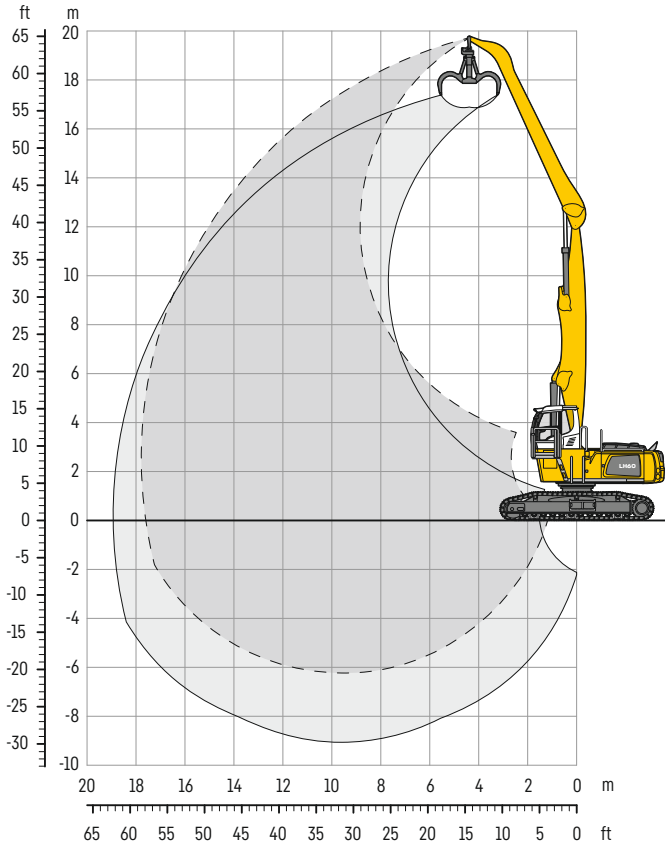
m	Undercarriage	6.0m		7.5m		9.0m		10.5m		12.0m		13.5m		15.0m		16.5m		18.0m		19.5m		m		
		☞	☞	☞	☞	☞	☞	☞	☞	☞	☞	☞	☞	☞	☞	☞	☞	☞	☞	☞	☞	☞	☞	☞
18.0	EW																					7.3*	7.3*	7.9
16.5	EW					8.0*	8.0*															6.3*	6.3*	10.3
15.0	EW							7.3*	7.3*	5.9*	5.9*											5.7*	5.7*	12.1
13.5	EW							7.1*	7.1*	6.6*	6.6*											5.4*	5.4*	13.5
12.0	EW							7.0*	7.0*	6.5*	6.5*	6.2*	6.2*									5.2*	5.2*	14.6
10.5	EW							7.0*	7.0*	6.5*	6.5*	6.1*	6.1*	5.8*	5.8*							5.1*	5.1*	15.4
9.0	EW							7.2*	7.2*	6.6*	6.6*	6.2*	6.2*	5.8*	5.8*							5.0*	5.0*	16.1
7.5	EW					8.2*	8.2*	7.4*	7.4*	6.8*	6.8*	6.3*	6.3*	5.9*	5.9*	5.2	5.4*					5.0*	5.0*	16.7
6.0	EW					8.6*	8.6*	7.7*	7.7*	7.0*	7.0*	6.4*	6.4*	6.0*	6.0*	5.1	5.6*					4.8	5.1*	17.0
4.5	EW	12.7*	12.7*	10.6*	10.6*	9.1*	9.1*	8.0*	8.0*	7.2*	7.2*	6.6*	6.6*	6.0	6.1*	5.0	5.6*					4.6	5.2*	17.3
3.0	EW	14.2*	14.2*	11.5*	11.5*	9.7*	9.7*	8.4*	8.4*	7.5*	7.5*	6.8*	6.8*	5.8	6.2*	4.9	5.7*					4.4	5.3*	17.4
1.5	EW	15.6*	15.6*	12.3*	12.3*	10.3*	10.3*	8.8*	8.8*	7.8*	7.8*	6.7	7.0*	5.6	6.3*	4.8	5.7*					4.4	5.3	17.3
0	EW	16.7*	16.7*	13.1*	13.1*	10.8*	10.8*	9.2*	9.2*	7.7	8.0*	6.5	7.1*	5.5	6.4*	4.7	5.6					4.4	5.3	17.2
-1.5	EW	17.3*	17.3*	13.5*	13.5*	11.1*	11.1*	9.0	9.4*	7.4	8.1*	6.2	7.2*	5.3	6.3*	4.6	5.5*					4.4	5.3*	16.9
-3.0	EW	15.9*	15.9*	13.7*	13.7*	10.7	11.2*	8.7	9.5*	7.2	8.2*	6.1	7.1*	5.2	6.2*							4.6	5.1*	16.5
-4.5	EW	15.2*	15.2*	13.4*	13.4*	10.4	11.0*	8.4	9.3*	7.0	7.9*	6.0	6.8*	5.2	5.7*							4.8	5.0*	15.9
-6.0	EW	15.3*	15.3*	12.5*	12.5*	10.3	10.4*	8.3	8.7*	6.9	7.4*	5.9	6.1*									5.2*	5.2*	14.5
-7.5	EW					9.1*	9.1*	7.6*	7.6*													7.6*	7.6*	10.6

☞ Height ☞ Can be slewed through 360° ☞ In longitudinal position of undercarriage ☞ Max. reach \* Limited by hydr. capacity

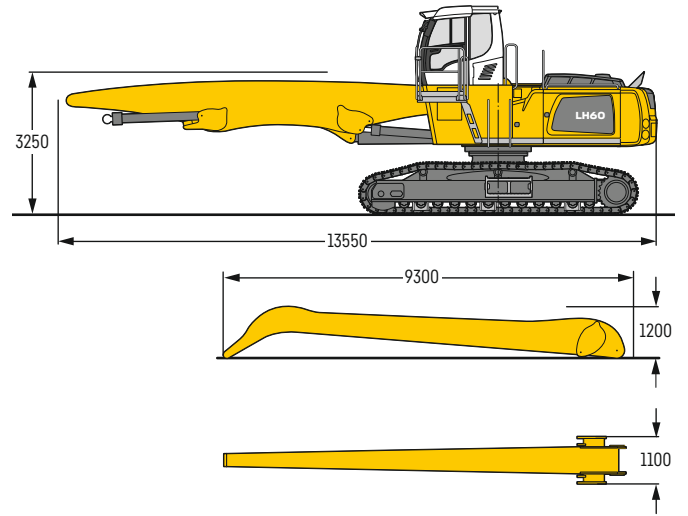
The lift capacities on the stick end without attachment are stated in metric tons (t) and can be slewed through 360° on a firm, level supporting surface. Capacities are valid for 600 mm wide triple grouser pads (resp. flat pads). Indicated loads based on the ISO 10567 standard and do not exceed 75% of tipping or 87% of hydraulic capacity. The lift capacity values indicated are attained at the corresponding operating temperature. This operating temperature is ensured by continuous movement of the boom. Weights of fitted attachments (grabs, load hooks, etc.) and load accommodation attachment are to be deducted from the lift capacity values. The lift capacity of the unit is limited by its stability, the lifting capability of the hydraulic elements, or the maximum permissible lifting capacity of the load hook. In accordance with the harmonised European Standard EN 474-5, hydraulic excavators used for lifting operations must be equipped with pipe fracture safety valves, an overload warning device, a load hook and a lift capacity chart.

# LH 60 C SW – Equipment GA18

## Industry – Kinematic 2A



### Dimensions



### Operating weight and ground pressure

The operating weight includes the basic machine with rigid cab elevation, straight boom 9.50 m, angled stick 8.80 m and multi-tine grab GMM 80-5/0.90 m<sup>3</sup> semi-closed tines.

Weight	56,900 kg
Pad width	600 mm
Ground pressure	on request

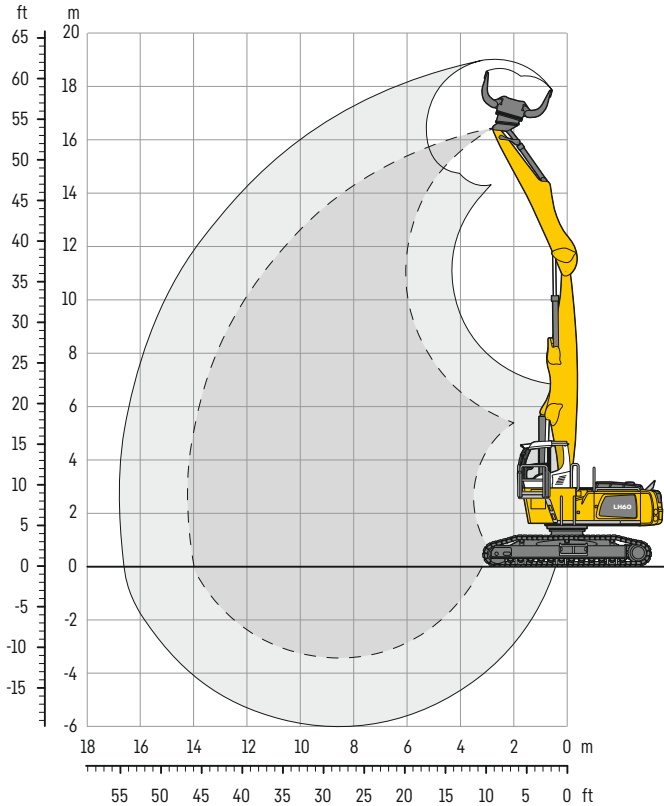
m	Undercarriage	6.0m		7.5m		9.0m		10.5m		12.0m		13.5m		15.0m		16.5m		18.0m		19.5m		m		
19.5	SW																					10.4*	10.4*	5.2
18.0	SW			9.4*	9.4*																	7.6*	7.6*	8.7
16.5	SW					9.2*	9.2*	7.4*	7.4*													6.5*	6.5*	11.0
15.0	SW					10.0*	10.0*	8.9*	8.9*	7.2*	7.2*											5.9*	5.9*	12.7
13.5	SW					10.3*	10.3*	9.4*	9.4*	8.6*	8.6*	6.6*	6.6*									5.6*	5.6*	14.0
12.0	SW					10.2*	10.2*	9.3*	9.3*	8.6*	8.6*	8.0*	8.0*	5.4*	5.4*							5.3*	5.3*	15.1
10.5	SW					10.3*	10.3*	9.3*	9.3*	8.6*	8.6*	8.0*	8.0*	6.9	7.1*							5.1*	5.1*	15.9
9.0	SW					10.5*	10.5*	9.5*	9.5*	8.7*	8.7*	8.0*	8.0*	6.8	7.5*	5.3*	5.3*					5.1*	5.1*	16.6
7.5	SW					10.8*	10.8*	9.7*	9.7*	8.8*	8.8*	8.1*	8.1*	6.8	7.5*	5.6	6.6*					5.0*	5.0*	17.1
6.0	SW			12.4*	12.4*	11.3*	11.3*	10.0*	10.0*	9.1*	9.1*	8.0	8.2*	6.6	7.6*	5.6	6.9*					5.0	5.0*	17.4
4.5	SW	13.4*	13.4*	13.8*	13.8*	11.9*	11.9*	10.4*	10.4*	9.3*	9.3*	7.8	8.4*	6.5	7.6*	5.5	6.9*					4.8	5.1*	17.7
3.0	SW	18.3*	18.3*	14.8*	14.8*	12.5*	12.5*	10.8*	10.8*	9.1	9.5*	7.5	8.5*	6.3	7.7*	5.4	6.8*					4.7	5.2*	17.8
1.5	SW	19.7*	19.7*	15.6*	15.6*	13.0*	13.0*	10.7	11.1*	8.7	9.7*	7.3	8.6*	6.2	7.6*	5.3	6.7*					4.7	5.3*	17.8
0	SW	20.6*	20.6*	16.2*	16.2*	12.8	13.3*	10.2	11.3*	8.4	9.8*	7.1	8.6*	6.0	7.5*	5.2	6.4*					4.7	5.3*	17.6
-1.5	SW	16.9*	16.9*	15.9	16.3*	12.3	13.4*	9.9	11.3*	8.1	9.7*	6.9	8.4*	5.9	7.2*	5.1	5.9*					4.8	4.9*	17.3
-3.0	SW	14.6*	14.6*	15.4	15.7*	11.9	13.0*	9.6	10.9*	8.0	9.3*	6.7	7.9*	5.8	6.6*							5.0*	5.0*	16.4
-4.5	SW	14.4*	14.4*	14.4*	14.4*	11.7	12.0*	9.4	10.1*	7.8	8.5*	6.7	7.0*									5.7*	5.7*	14.8
-6.0	SW					10.3*	10.3*	8.6*	8.6*													7.5*	7.5*	11.6

Height Can be slewed through 360° In longitudinal position of undercarriage Max. reach \* Limited by hydr. capacity

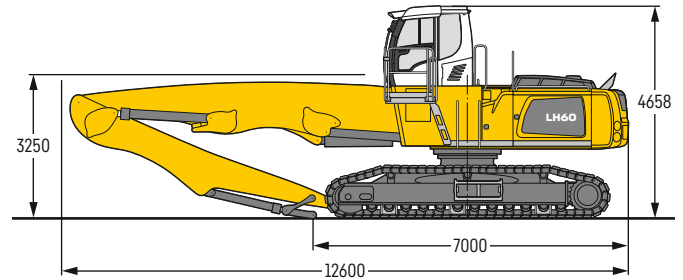
The lift capacities on the stick end without attachment are stated in metric tons (t) and can be slewed through 360° on a firm, level supporting surface. Capacities are valid for 600 mm wide triple grouser pads (resp. flat pads). Indicated loads based on the ISO 10567 standard and do not exceed 75% of tipping or 87% of hydraulic capacity. The lift capacity values indicated are attained at the corresponding operating temperature. This operating temperature is ensured by continuous movement of the boom. Weights of fitted attachments (grabs, load hooks, etc.) and load accommodation attachment are to be deducted from the lift capacity values. The lift capacity of the unit is limited by its stability, the lifting capability of the hydraulic elements, or the maximum permissible lifting capacity of the load hook. In accordance with the harmonised European Standard EN 474-5, hydraulic excavators used for lifting operations must be equipped with pipe fracture safety valves, an overload warning device, a load hook and a lift capacity chart.

# LH 60 C SW – Equipment GK14

## Industry – Kinematic 2A



### Dimensions



### Operating weight and ground pressure

The operating weight includes the basic machine with rigid cab elevation, straight boom 8.50 m, stick with tipping kinematics 6.00 m and sorting grab SG 40 / 1.60 m<sup>3</sup> perforated shells.

Weight	57,400 kg
Pad width	600 mm
Ground pressure	on request

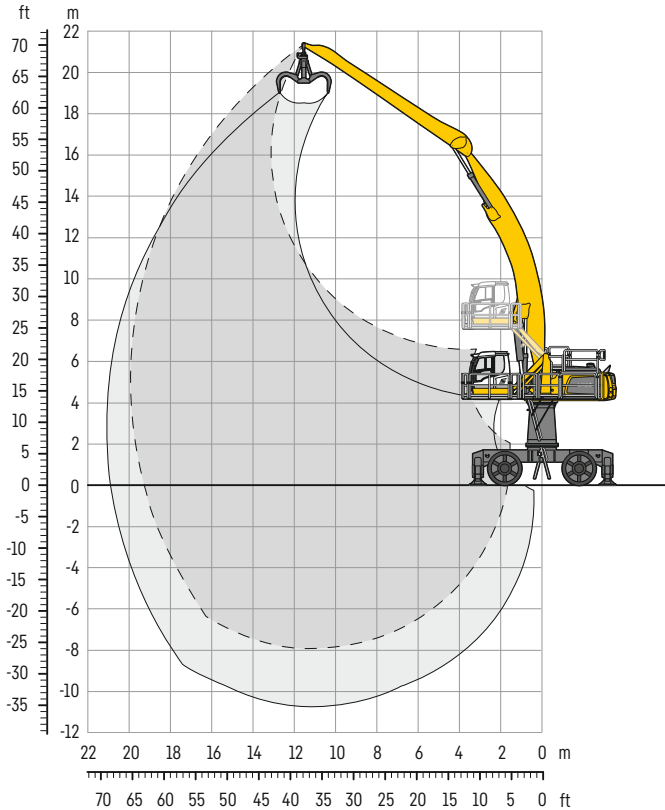
m	Undercarriage	6.0m		7.5m		9.0m		10.5m		12.0m		13.5m		15.0m		16.5m		18.0m		19.5m		Stick		m
		360°	360°	360°	360°	360°	360°	360°	360°	360°	360°	360°	360°	360°	360°	360°	360°	360°	360°	360°	360°	360°	360°	
19.5	SW																							
18.0	SW																							
16.5	SW																							
15.0	SW		13.5* 13.5*																		11.4* 11.4*			6.8
13.5	SW		15.2* 15.2*		13.3* 13.3*		9.6* 9.6*														9.5* 9.5*			9.0
12.0	SW		15.4* 15.4*		13.3* 13.3*		11.9* 11.9*		9.0* 9.0*												8.5* 8.5*			10.6
10.5	SW				13.3* 13.3*		11.8* 11.8*		10.7* 10.7*												8.0* 8.0*			11.8
9.0	SW		15.7* 15.7*		13.5* 13.5*		11.9* 11.9*		10.7* 10.7*		9.0 9.8*										7.6* 7.6*			12.7
7.5	SW		16.5* 16.5*		13.9* 13.9*		12.2* 12.2*		10.8* 10.8*		9.0 9.8*										7.4 7.5*			13.3
6.0	SW		17.7* 17.7*		14.7* 14.7*		12.6* 12.6*		11.1* 11.1*		8.8 9.9*		7.2 8.7*								6.9 7.4*			13.8
4.5	SW		19.2* 19.2*		15.5* 15.5*		13.1* 13.1*		10.8 11.3*		8.7 9.9*		7.1 8.7*								6.6 7.5*			14.1
3.0	SW		20.6* 20.6*		16.3* 16.3*		13.2 13.5*		10.4 11.5*		8.5 10.0*		7.0 8.5*								6.4 7.6*			14.2
1.5	SW		21.3* 21.3*		16.7* 16.7*		12.8 13.7*		10.1 11.6*		8.3 9.8*		6.9 8.1*								6.4 7.1*			14.2
0	SW		20.9* 20.9*		16.2 16.6*		12.4 13.6*		9.9 11.3*		8.1 9.4*		6.9 7.3*								6.3* 6.3*			14.0
-1.5	SW		18.8* 18.8*		15.6* 15.6*		12.1 12.8*		9.7 10.5*		8.1 8.4*										6.8* 6.8*			13.0
-3.0	SW				13.4* 13.4*		11.1* 11.1*		8.9* 8.9*												8.4* 8.4*			10.8
-4.5	SW																							
-6.0	SW																							

Height Can be slewed through 360° In longitudinal position of undercarriage Max. reach \* Limited by hydr. capacity

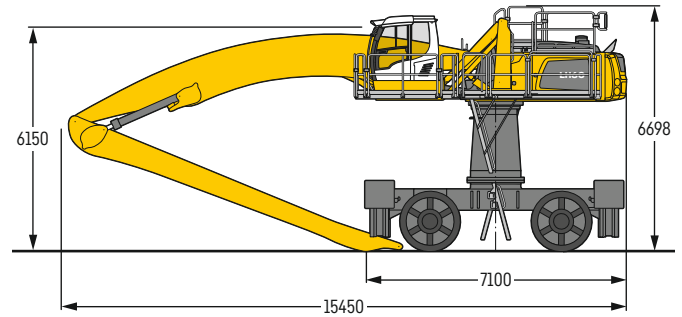
The lift capacities on the stick end without attachment are stated in metric tons (t) and can be slewed through 360° on a firm, level supporting surface. Capacities are valid for 600 mm wide triple grouser pads (resp. flat pads). Indicated loads based on the ISO 10567 standard and do not exceed 75% of tipping or 87% of hydraulic capacity. The lift capacity values indicated are attained at the corresponding operating temperature. This operating temperature is ensured by continuous movement of the boom. Weights of fitted attachments (grabs, load hooks, etc.) and load accommodation attachment are to be deducted from the lift capacity values. The lift capacity of the unit is limited by its stability, the lifting capability of the hydraulic elements, or the maximum permissible lifting capacity of the load hook. In accordance with the harmonised European Standard EN 474-5, hydraulic excavators used for lifting operations must be equipped with pipe fracture safety valves, an overload warning device, a load hook and a lift capacity chart.

# LH 60 M HR – Equipment AG20

## Industry – Kinematic 2C



### Dimensions



### Operating weight

The operating weight includes the basic machine with 4 point outriggers, turret 2,000 mm, hydr. cab elevation, 4 solid tyres, angled boom 11.50 m, straight stick 9.50 m and multi-tine grab GMM 80-5 / 1.10 m<sup>3</sup> semi-closed tines.

Weight 72,200 kg

m	Undercarriage	6.0m		7.5m		9.0m		10.5m		12.0m		13.5m		15.0m		16.5m		18.0m		19.5m		m			
		Can be slewed through 360°	In longitudinal position of undercarriage	Can be slewed through 360°	In longitudinal position of undercarriage	Can be slewed through 360°	In longitudinal position of undercarriage	Can be slewed through 360°	In longitudinal position of undercarriage	Can be slewed through 360°	In longitudinal position of undercarriage	Can be slewed through 360°	In longitudinal position of undercarriage	Can be slewed through 360°	In longitudinal position of undercarriage	Can be slewed through 360°	In longitudinal position of undercarriage	Can be slewed through 360°	In longitudinal position of undercarriage	Can be slewed through 360°	In longitudinal position of undercarriage	Can be slewed through 360°	In longitudinal position of undercarriage		
21.0	4 pt. outriggers down																					5.5*	5.5*	12.0	
19.5	4 pt. outriggers down											5.5*	5.5*										5.1*	5.1*	13.8
18.0	4 pt. outriggers down											5.5*	5.5*	5.1*	5.1*								4.9*	4.9*	15.2
16.5	4 pt. outriggers down											5.5*	5.5*	5.1*	5.1*								4.7*	4.7*	16.3
15.0	4 pt. outriggers down											5.5*	5.5*	5.1*	5.1*	4.8*	4.8*						4.6*	4.6*	17.3
13.5	4 pt. outriggers down											5.5*	5.5*	5.1*	5.1*	4.8*	4.8*	4.6*	4.6*				4.5*	4.5*	18.1
12.0	4 pt. outriggers down											5.6*	5.6*	5.2*	5.2*	4.9*	4.9*	4.6*	4.6*				4.5*	4.5*	18.7
10.5	4 pt. outriggers down									6.3*	6.3*	5.7*	5.7*	5.3*	5.3*	4.9*	4.9*	4.6*	4.6*				4.4*	4.4*	19.2
9.0	4 pt. outriggers down									6.5*	6.5*	5.9*	5.9*	5.4*	5.4*	5.0*	5.0*	4.7*	4.7*	4.4*	4.4*		4.4*	4.4*	19.6
7.5	4 pt. outriggers down									7.3*	7.3*	6.8*	6.8*	6.1*	6.1*	5.5*	5.5*	5.1*	5.1*	4.7*	4.7*	4.4*	4.4*	4.4*	19.8
6.0	4 pt. outriggers down	14.1*	14.1*	11.2*	11.2*	9.3*	9.3*	8.0*	8.0*	7.0*	7.0*	6.3*	6.3*	5.7*	5.7*	5.2*	5.2*	4.8*	4.8*	4.5*	4.5*	4.4*	4.4*	4.4*	19.9
4.5	4 pt. outriggers down	15.4*	15.4*	12.0*	12.0*	9.8*	9.8*	8.4*	8.4*	7.3*	7.3*	6.5*	6.5*	5.8*	5.8*	5.3*	5.3*	4.9*	4.9*	4.5*	4.5*	4.4*	4.4*	4.4*	19.9
3.0	4 pt. outriggers down	11.0*	11.0*	12.6*	12.6*	10.3*	10.3*	8.7*	8.7*	7.5*	7.5*	6.7*	6.7*	6.0*	6.0*	5.4*	5.4*	4.9*	4.9*	4.5*	4.5*	4.3*	4.3*	4.3*	19.8
1.5	4 pt. outriggers down	8.7*	8.7*	13.1*	13.1*	10.7*	10.7*	9.0*	9.0*	7.7*	7.7*	6.8*	6.8*	6.1*	6.1*	5.5*	5.5*	4.9*	4.9*	4.4*	4.4*	4.3*	4.3*	4.3*	19.6
0	4 pt. outriggers down	8.3*	8.3*	13.3*	13.3*	10.9*	10.9*	9.1*	9.1*	7.9*	7.9*	6.9*	6.9*	6.1*	6.1*	5.4*	5.4*	4.8*	4.8*				4.3*	4.3*	19.3
-1.5	4 pt. outriggers down	8.5*	8.5*	13.2*	13.2*	10.8*	10.8*	9.1*	9.1*	7.9*	7.9*	6.9*	6.9*	6.0*	6.0*	5.3*	5.3*	4.7*	4.7*				4.2*	4.2*	18.8
-3.0	4 pt. outriggers down	9.0*	9.0*	12.7*	12.7*	10.5*	10.5*	8.9*	8.9*	7.7*	7.7*	6.7*	6.7*	5.9*	5.9*	5.1*	5.1*	4.2*	4.2*				4.1*	4.1*	18.2
-4.5	4 pt. outriggers down	9.6*	9.6*	11.7*	11.7*	9.9*	9.9*	8.5*	8.5*	7.3*	7.3*	6.3*	6.3*	5.4*	5.4*	4.6*	4.6*						3.9*	3.9*	17.4
-6.0	4 pt. outriggers down	10.4*	10.4*	10.3*	10.3*	8.9*	8.9*	7.7*	7.7*	6.6*	6.6*	5.6*	5.6*	4.7*	4.7*	3.6*	3.6*						3.6*	3.6*	16.5
-7.5	4 pt. outriggers down					7.3*	7.3*	6.4*	6.4*	5.4*	5.4*	4.5*	4.5*										4.2*	4.2*	13.9

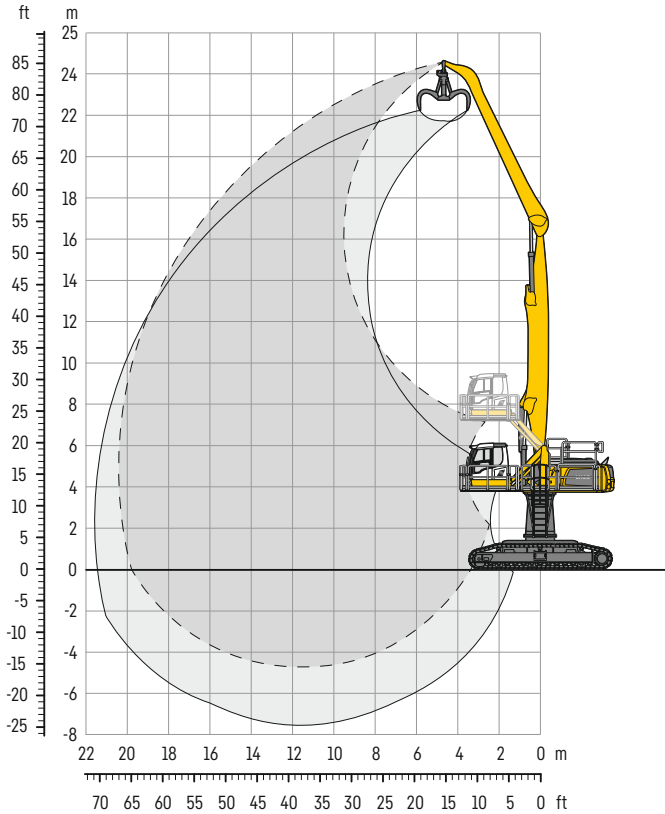
Height Can be slewed through 360° In longitudinal position of undercarriage Max. reach \* Limited by hydr. capacity

The lift capacities on the stick end without attachment are stated in metric tons (t) and are valid on a firm, level supporting surface with blocked oscillating axle. These capacities can be slewed through 360° with the undercarriage in the transverse position. Capacities in the longitudinal position of the undercarriage (±15°) are specified over the rigid axle with the stabilizers down. Indicated loads based on the ISO 10567 standard and do not exceed 75% of tipping or 87% of hydraulic capacity. The lift capacity values indicated are attained at the corresponding operating temperature. This operating temperature is ensured by continuous movement of the boom. Weights of fitted attachments (grabs, load hooks, etc.) and load accommodation attachment are to be deducted from the lift capacity values. The lift capacity of the unit is limited by its stability, the lifting capability of the hydraulic elements, or the maximum permissible lifting capacity of the load hook.

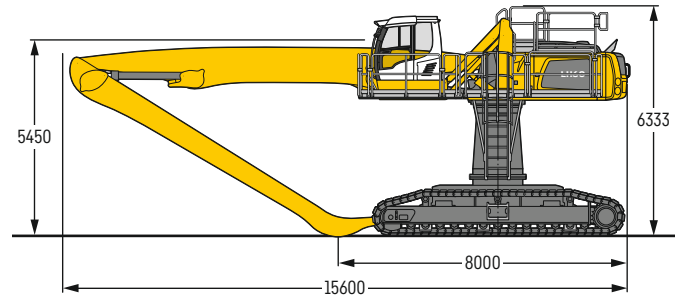
In accordance with the harmonised European Standard EN 474-5, hydraulic excavators used for lifting operations must be equipped with pipe fracture safety valves, an overload warning device, a load hook and a lift capacity chart.

# LH 60 C HR – Equipment GA21

## Industry – Kinematic 2A



### Dimensions



### Operating weight and ground pressure

The operating weight includes the basic machine with turret 2,000 mm, hydr. cab elevation, straight boom 11.50 m, angled stick 9.50 m and multi-tine grab GMM 80-5 / 1.10 m<sup>3</sup> semi-closed tines.

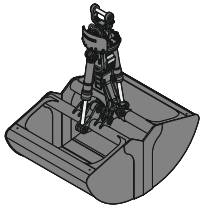
Weight	73,000 kg
Pad width	750 mm
Ground pressure	on request

m	Undercarriage	6.0m		7.5m		9.0m		10.5m		12.0m		13.5m		15.0m		16.5m		18.0m		19.5m		Max. reach		m		
		SW	SW	SW	SW	SW	SW	SW	SW	SW	SW	SW	SW	SW	SW	SW	SW	SW	SW	SW	SW	SW	SW			
24.0	SW	9.4*	9.4*																			8.8*	8.8*	6.5		
22.5	SW			9.3*	9.3*																	6.8*	6.8*	9.9		
21.0	SW					9.0*	9.0*	7.9*	7.9*	6.3*	6.3*											5.9*	5.9*	12.2		
19.5	SW					9.4*	9.4*	8.7*	8.7*	7.8*	7.8*	6.2*	6.2*									5.4*	5.4*	14.0		
18.0	SW							8.8*	8.8*	7.9*	7.9*	7.1*	7.1*	5.9*	5.9*							5.1*	5.1*	15.5		
16.5	SW							8.7*	8.7*	7.8*	7.8*	7.1*	7.1*	6.5*	6.5*	5.1*	5.1*					4.8*	4.8*	16.6		
15.0	SW							8.7*	8.7*	7.8*	7.8*	7.1*	7.1*	6.5*	6.5*	5.9*	5.9*					4.7*	4.7*	17.6		
13.5	SW							8.8*	8.8*	7.8*	7.8*	7.1*	7.1*	6.5*	6.5*	5.9*	5.9*	5.4*	5.4*			4.6*	4.6*	18.4		
12.0	SW							8.9*	8.9*	7.9*	7.9*	7.1*	7.1*	6.5*	6.5*	5.9*	5.9*	5.4*	5.4*			4.5*	4.5*	19.1		
10.5	SW					10.1*	10.1*	10.4*	10.4*	9.0*	9.0*	8.0*	8.0*	7.2*	7.2*	6.5*	6.5*	5.9*	5.9*	5.4*	5.4*	4.7*	4.7*	4.5*	19.6	
9.0	SW							11.4*	11.4*	10.7*	10.7*	9.3*	9.3*	8.2*	8.2*	7.3*	7.3*	6.6*	6.6*	6.0*	6.0*	5.4*	5.4*	4.9*	4.9*	20.0
7.5	SW									11.0*	11.0*	9.5*	9.5*	8.3*	8.3*	7.4*	7.4*	6.6*	6.6*	6.0*	6.0*	5.4*	5.4*	4.8*	4.8*	20.2
6.0	SW											13.0*	13.0*	13.2*	13.2*	11.0*	11.0*	9.5*	9.5*	8.3*	8.3*	7.4*	7.4*	6.6*	6.6*	20.4
4.5	SW											17.3*	17.3*	13.7*	13.7*	11.4*	11.4*	9.7*	9.7*	8.5*	8.5*	7.5*	7.5*	6.7*	6.7*	20.4
3.0	SW											18.1*	18.1*	14.2*	14.2*	11.7*	11.7*	9.9*	9.9*	8.6*	8.6*	7.5*	7.5*	6.7*	6.7*	20.4
1.5	SW											9.6*	9.6*	14.4*	14.4*	11.8*	11.8*	10.0*	10.0*	8.6*	8.6*	7.5*	7.5*	6.6*	6.6*	20.3
0	SW											7.1*	7.1*	14.3*	14.3*	11.8*	11.8*	9.9*	9.9*	8.5*	8.5*	7.4*	7.4*	6.5*	6.5*	20.2
-1.5	SW											6.9*	6.9*	13.2*	13.2*	11.5*	11.5*	9.7*	9.7*	8.3*	8.3*	7.2*	7.2*	6.3*	6.3*	19.8
-3.0	SW											7.3*	7.3*	12.2*	12.2*	10.8*	10.8*	9.2*	9.2*	7.9*	7.9*	6.8*	6.8*	5.8*	5.8*	18.8
-4.5	SW											11.1*	11.1*	9.6*	9.6*	8.3*	8.3*	7.1*	7.1*	6.1*	6.1*	5.2*	5.2*	4.2*	4.2*	17.1

Height Can be slewed through 360° In longitudinal position of undercarriage Max. reach \* Limited by hydr. capacity

The lift capacities on the stick end without attachment are stated in metric tons (t) and can be slewed through 360° on a firm, level supporting surface. Capacities are valid for 750 mm wide flat pads. Indicated loads based on the ISO 10567 standard and do not exceed 75% of tipping or 87% of hydraulic capacity. The lift capacity values indicated are attained at the corresponding operating temperature. This operating temperature is ensured by continuous movement of the boom. Weights of fitted attachments (grabs, load hooks, etc.) and load accommodation attachment are to be deducted from the lift capacity values. The lift capacity of the unit is limited by its stability, the lifting capability of the hydraulic elements, or the maximum permissible lifting capacity of the load hook. In accordance with the harmonised European Standard EN 474-5, hydraulic excavators used for lifting operations must be equipped with pipe fracture safety valves, an overload warning device, a load hook and a lift capacity chart.

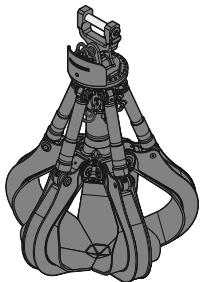
# Attachments



## Grab for loose material

Shells for loose material with cutting edge (without teeth)

Grab model GMZ 50									
Width of shells	mm	1,400	1,600	1,800	2,000	2,200	2,400		
Capacity	m <sup>3</sup>	3.50	4.00	4.50	5.00	5.50	6.00		
Weight	kg	2,615	2,745	2,820	2,955	3,085	3,215		
Grab model GMZ 80									
Width of shells	mm	1,300	1,500	1,750	2,000	2,200	2,600		
Capacity	m <sup>3</sup>	3.00	3.50	4.00	4.50	5.00	6.00		
Weight	kg	2,510	2,625	2,770	2,940	3,035	3,265		



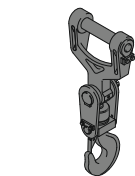
## Multi-tine grab

		open			semi-closed			closed, heart-shaped		
Grab model GMM 80-4 (4 tines)										
Capacity	m <sup>3</sup>	1.10	1.40	1.70	1.10	1.40	1.70	1.40		
Weight	kg	1,895	1,935	1,995	2,090	2,150	2,210	2,430		
Grab model GMM 80-5 (5 tines)										
Capacity	m <sup>3</sup>	1.10	1.40	1.70	1.10	1.40	1.70	1.10	1.40	1.70
Weight	kg	2,170	2,220	2,290	2,390	2,465	2,540	2,440	2,580	2,740



## Wood grab

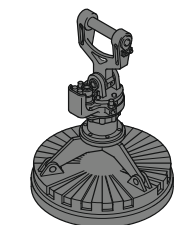
Grab model GMH 80 round-shaped (complete overlapping, vertical cylinders)									
Size	m <sup>2</sup>	1.60	1.90	2.20	2.50				
Cutting width	mm	870	870	870	870				
Height of grab, closed	mm	2,908	2,984	3,062	3,140				
Weight	kg	2,260	2,305	2,340	2,380				
Grab model GMH 50 round-shaped (overlapping, horizontal cylinders)									
Size	m <sup>2</sup>	2.50	2.50	2.80	3.20	3.60			
Cutting width	mm	870	1,000	1,000	1,000	1,000			
Height of grab, closed	mm	2,416	2,416	2,521	2,649	2,814			
Weight	kg	2,100	2,175	2,260	2,315	2,370			



## Load hook

		Load hook		Double load hook	
Max. load	t	12.5	25	12.5	25
Height with suspension	mm	930	945	945	1,158
Weight	kg	135	137	138	220*

\* with XHD suspension



## Magnet devices / lifting magnets

Generator	kW	13 / 20 / 25
Electromagnet with suspension		
Power	kW	12.8 / 17.8
Diameter of magnet	mm	1,700
Weight	kg	3,280*

\* only magnet plate



# Liebherr ERC-System

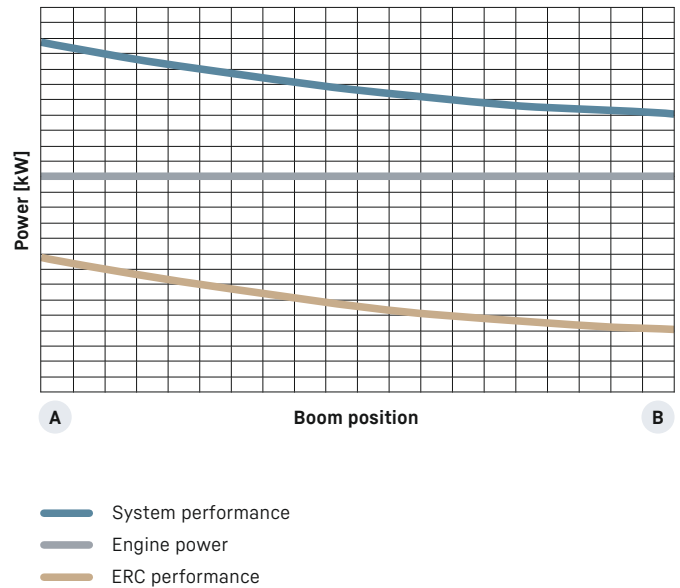
## More performance, less consumption

Lowering the equipment stores energy in the ERC-System. This stored energy is then made available to the machine to provide additional engine power. When the equipment is raised the stored energy is released and is reflected in powerful, homogeneous operating cycles. The result is a clear saving on fuel – and, at the same time, even greater performance.

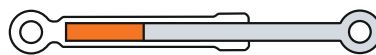
## System performance

The energy recovery cylinder is a storage system which is independent of the diesel engine. The system performance of material handling machines fitted with the ERC-System is composed of the installed engine power and the energy recovery cylinder. When the equipment is raised, energy from the ERC-System is supplied in addition to the power from the diesel engine.

## ERC-System



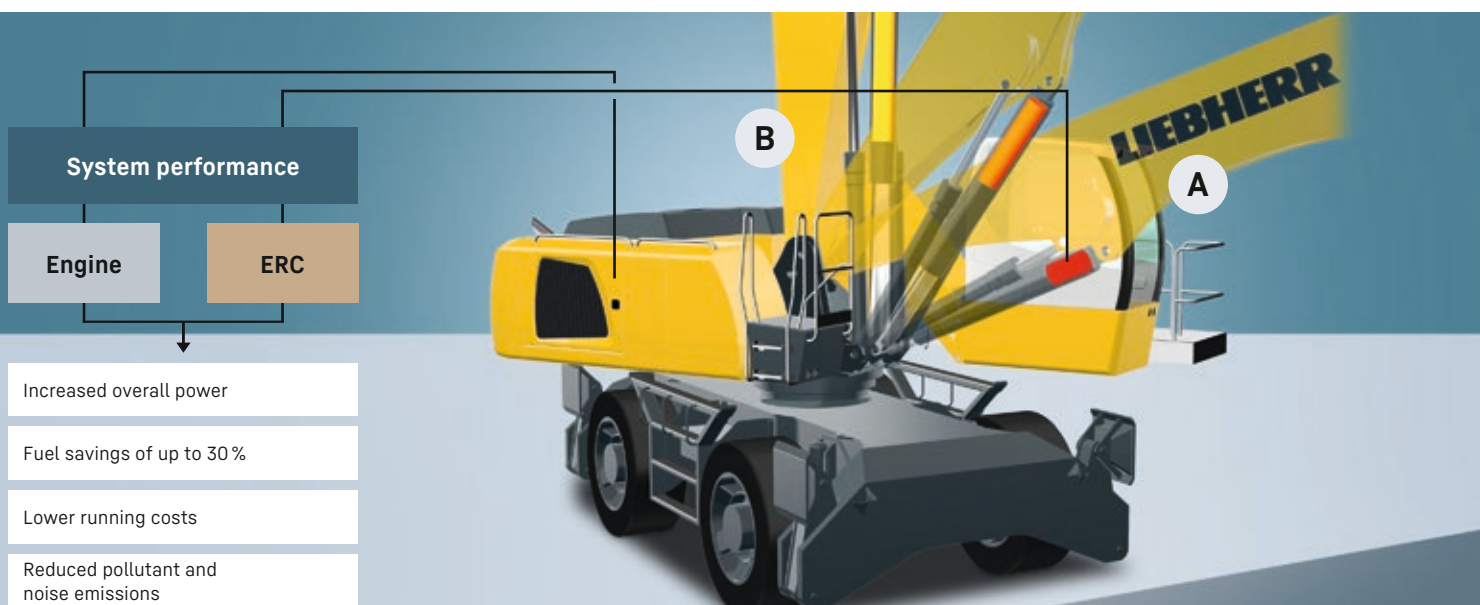
**B** 1. Equipment fitting raised / energy released



2. Lower equipment fitting / store energy  
4. Raise equipment fitting / release energy



**A** 3. Equipment fitting lowered / energy stored



# Equipment



## Undercarriage

	60 M	60 C	60 M HR	60 C HR
Track pads, variants		+		+
Individual control outriggers	+		•	
Three-piece chain guide				•
Shuttle axle lock, automatic	•		•	
Outrigger monitoring system	+	+	+	
Tyres, variants	+		+	
Protection for piston rods, outriggers	+		+	
Two storage compartments	•			
Undercarriage, variants		+		



## Uppercarriage

	60 M	60 C	60 M HR	60 C HR
Uppercarriage right side light, 1 piece, LED	•	•	•	•
Uppercarriage rear light, 2 pieces, LED	+	+		
Uppercarriage underneath rear light, 1 piece, LED			+	+
Refuelling system with filling pump	+	+	+	+
Railing on uppercarriage	+	+	•	•
Generator	+	+	+	+
Main battery switch for electrical system	•	•	•	•
Amber beacon, at uppercarriage, LED double flash	+	+	+	+
Protection for headlights	+	+		
Protection for rear lights	+	+		
Tool equipment, extended	•	•	•	•



## Hydraulic system

	60 M	60 C	60 M HR	60 C HR
Electronic pump regulation	•	•	•	•
Liebherr hydraulic oil from -20 °C to +40 °C	•	•	•	•
Liebherr hydraulic oil, biologically degradable	+	+	+	+
Liebherr hydraulic oil, specially for warm or cold regions	+	+	+	+
Magnetic rod in hydraulic tank	•	•	•	•
Bypass filter	+	+	+	+
Preheating hydraulic oil	+	+	+	+



## Engine

	60 M	60 C	60 M HR	60 C HR
Fuel anti-theft device	+	+	+	+
Air pre-filter with dust discharge	+	+	+	+
Automatic engine shut-down (time adjustable)	+	+	+	+
Preheating fuel	+	+	+	+
Preheating coolant	+	+	+	+
Preheating engine oil*	+	+	+	+



## Cooling system

	60 M	60 C	60 M HR	60 C HR
Reversible fan drive	+	+	+	+
Protective grid in front of cooler intake	•	•	•	•



	60 M	60 C	60 M HR	60 C HR
Stabilizer, control lever, left console	+		+	
Stabilizer, proportional control on left joystick	●		●	
Cab lights rear, halogen	+	+	+	+
Cab lights rear, LED	+	+	+	+
Cab lights front, halogen	+	+	+	+
Cab lights front, halogen (under rain cover)	●	●	●	●
Cab lights front, LED	+	+	+	+
Cab lights front, LED (under rain cover)	+	+	+	+
Armrest adjustable	●	●	●	●
Circular bubble level	+	+	●	●
Slewing gear brake Comfort, button on the left or right joystick	+	+	+	+
Driver profile, personalised (max. 5 drivers)	+	+	+	+
Operator's seat Comfort	●	●	●	●
Operator's seat Premium	+	+	+	+
Driving alarm				
(acoustic signal is emitted during travel, can be switched ON/OFF)	+	+	+	+
Fire extinguisher	+	+	+	+
Footrest	+	+	+	+
Horn, button on left joystick	●	●	●	●
Joystick steering	●		●	
Joystick and wheel steering (slim version)	+		+	
Cab elevation, hydraulic (LHC)	●	●	●	●
Cab elevation, hydraulic with double parallelogram (LHC-D)			+	+
Cab elevation, rigid (LFC)	+	+		
Automatic air conditioning	●	●	●	●
Wheel steering (slim version)	+		+	
LiDAT, vehicle fleet management	●	●	●	●
Proportional control	●	●	●	●
Radio Comfort, control via display with handsfree set	+	+	+	+
Preparation for radio installation	●	●	●	●
Back-up alarm				
(acoustic signal is emitted traveling backward, can not be switched off)	+		+	
Amber beacon, on cab, LED double flash	+	+	+	+
Windows made from impact-resistant laminated safety glass	+	+	●	●
Windscreen wiper, roof	+	+	+	+
Windshield wiper, entire windscreen	●	●	●	●
FOPS top guard	+	+	+	+
FGPS front guard, tiltable	+	+	+	+
Sun visor	+	+	+	+
Left control console, folding	●	●	●	●



	60 M	60 C	60 M HR	60 C HR
Boom lights, 2 pieces, halogen	●	●	●	●
Boom lights, 2 pieces, LED	+	+	+	+
Stick lights, 2 pieces, halogen	●	●	●	●
Stick lights, 2 pieces, LED	+	+	+	+
Boom shutoff (retract/extend), electronically	+	+	+	+
Equipment with electro-hydraulic end position control	●	●	●	●
AutoLift	+	+	+	+
Pressure warning mechanism hoist cylinder	●	●	●	●
ERC system	●	●	●	●
Filter system for attachment	+	+	+	+
Height limitation and stick shutoff, electronically	+			
Electronic lift limitation		+	+	+
Boom cylinder cushioning	+	●	●	●
Stick camera (with separate monitor), bottom side, with protection	+	+	+	+
Load torque limitation	+	+	+	+
Liebherr multi coupling system	+	+	+	+
Liebherr quick coupler, hydraulic	+			
Pipe fracture safety valves hoist cylinders	●	●	●	●
Pipe fracture safety valves stick cylinders	●	●	●	●
Quick coupling system MH 110B	+	+	+	+
Protection for piston rod, energy recovering cylinder	+	+	+	+
Protection for piston rods, hoist cylinder	+	+	+	+
Stick shutoff (retract), electronically	●	●	●	●
Stick shutoff (retract/extend), electronically	+	+	●	●
Retract stick without pressure	●	●	●	●
Sticks with quick coupling	+	+	+	+
Overload warning device	+	+	+	+



	60 M	60 C	60 M HR	60 C HR
<b>Lubrication</b>				
Lubrication undercarriage, manually - decentralised (grease points)	●			
Lubrication undercarriage, manually - centralised (one grease point)	+		●	
Central lubrication system for uppercarriage and equipment, automatically	●	●	●	●
Central lubrication system for undercarriage, automatically	+		+	
Centralised lubrication extended for attachment	+			
<b>Special coating</b>				
Special coating, variants	+	+	+	+
<b>Monitoring</b>				
Rear view monitoring with camera	●	●	●	●
Side view monitoring with camera	●	●	●	●

● = Standard, + = Option  
\* = country-dependent

Options and /or special equipment, supplied by vendors other than Liebherr, are only to be installed with the knowledge and approval of Liebherr in order to retain warranty.

# The Liebherr Group



## Global and independent: more than 70 years of success

Liebherr was founded in 1949 when, with the development of the world's first mobile tower crane, Hans Liebherr laid the foundations for a family business now employing nearly 50,000 people and comprising over 140 companies across every continent.

The parent company is Liebherr-International AG in Bulle, Switzerland, whose associates are exclusively members of the Liebherr family.

## Leaders and pioneers

Liebherr is a pioneer and its forward-looking approach has seen it make important contributions to technology history over a wide variety of industries. Employees throughout the world continue to share the courage of the founder, sharing a passion to produce innovative products and a determination to provide world-leading equipment and machinery.

## Diversified portfolio

The company is one of the world's biggest construction equipment manufacturers and provides high-quality, user-oriented products and services to sectors including: earthmoving, material handling, deep foundations, mining, mobile and crawler cranes, tower cranes, concrete production and distribution, maritime cranes, aerospace and transportation, gear technology and automation, refrigeration and freezing, components and hotels.

## Customised care

Liebherr solutions are characterised by precision, implementation and longevity. The company is committed to technological excellence and to providing customers with solutions that match their needs exactly. That customer focus does not end with delivery of a product but continues through a comprehensive range of back-up and support services.

[www.liebherr.com](http://www.liebherr.com)

## Liebherr-Hydraulikbagger GmbH

Liebherrstraße 12 • 88457 Kirchdorf/Iller, Germany • Phone +49 7354 80-0 • Fax +49 7354 80-72 94  
info.lhb@liebherr.com • [www.liebherr.com](http://www.liebherr.com) • [www.facebook.com/LiebherrConstruction](http://www.facebook.com/LiebherrConstruction)