

Material Handling Machine

# LH 80 Port

Litronic®

**Generation**

6

**Operating Weight**

75,700 – 116,700 kg\*

**Engine**

230 kW/313 HP

Stage V

Stage IIIA (compliant)

**System Performance**

418 kW

\* Without attachment



# LIEBHERR

# Technical Data



## Diesel Engine

<b>Rating per ISO 9249</b>	230 kW (313 HP) at 1,800 RPM
<b>Model</b>	Liebherr D946
<b>Type</b>	6 cylinder in-line
Bore/Stroke	130/150 mm
Displacement	11.95 l
<b>Engine operation</b>	4-stroke diesel Common-Rail turbo-charged and after-cooled reduced emissions
<b>Air cleaner</b>	dry-type air cleaner with pre-cleaner, primary and safety elements
<b>Engine idling</b>	sensor controlled
<b>Electrical system</b>	
Voltage	24 V
Batteries	2 x 180 Ah/12 V
Alternator	three-phase current 28 V/140 A
<b>Stage V</b>	
Harmful emissions values	according to regulation (EU) 2016/1628
Emission control	Liebherr-SCRFilter technology
Fuel tank	660 l
Urea tank	65 l
<b>Stage IIIA (compliant)</b>	
Harmful emissions values	in accordance with ECE-R.96 Power Band H
Fuel tank	660 l



## Cooling System

<b>Diesel engine</b>	water-cooled cooling system, consisting of a cooling unit for water and charge air and a 2 <sup>nd</sup> cooler for hydraulic oil, each with an infinitely variable, thermostatically controlled fan drive system
----------------------	---



## Hydraulic Controls

<b>Power distribution</b>	via control valves with integrated safety valves, simultaneous actuation of chassis and equipment. Swing drive in separate closed circuit
<b>Servo circuit</b>	
Equipment and swing	with electro-hydraulic pilot control and proportional joystick levers
Chassis	
Mobile	electro-proportional via foot pedal
Crawler	with electric proportionally functioning foot pedals or adjusted with plugable levers
<b>Additional functions</b>	via switch or electro-proportional foot pedals
Proportional control	proportionally acting transmitters on the joysticks for additional hydraulic functions



## Hydraulic System

<b>Hydraulic pump</b>	
for equipment and travel drive	2 Liebherr axial piston variable displacement pumps (double construction)
Max. flow	2 x 362 l/min.
Max. pressure for swing drive	350 bar reversible axial piston variable displacement pump, closed-loop circuit
Max. flow	196 l/min.
Max. pressure	370 bar
<b>Hydraulic pump regulation and control</b>	2 circuit Liebherr-Synchron-Comfort-system (LSC) with electronic engine speed sensing regulation, pressure and flow compensation, automatic oil flow optimizer
<b>Hydraulic tank</b>	340 l
<b>Hydraulic system</b>	910 l
<b>Hydraulic oil filter</b>	2 main return filters with integrated partial micro filtration (5 µm)
<b>MODE selection</b>	adjustment of engine and hydraulic performance via a mode pre-selector to match application, e.g. for especially economical and environmentally friendly operation or for maximum material handling and heavy-duty jobs
S (Sensitive)	mode for precision work and lifting through very sensitive movements
E (Eco)	mode for especially economical and environmentally friendly operation
P (Power)	mode for high performance with low fuel consumption
P+ (Power-Plus)	mode for highest performance and for very heavy duty applications, suitable for continuous operation
<b>Engine speed and performance setting</b>	stepless alignment of engine output and hydraulic power via engine speed
Option	Tool Control: 20 preadjustable pump flows and pressures for add-on attachments



## Swing Drive

<b>Drive</b>	Liebherr axial piston motor in a closed system, Liebherr planetary reduction gear
<b>Swing ring</b>	Liebherr, sealed race ball bearing swing ring, internal teeth
<b>Swing speed</b>	0 – 6.5 RPM stepless
<b>Swing torque</b>	141 kNm
<b>Holding brake</b>	wet multi-disc (spring applied, pressure released)
<b>Option</b>	slewing gear brake Comfort



## Operator's Cab

<b>Cab</b>	safety cab structure with individual windscreens or featuring a slide-in subpart under the ceiling, work headlights integrated in the ceiling, a door with a sliding window (can be opened on both sides), large stowing and depositing possibilities, shock-absorbing suspension, sound damping insulating, tinted laminated safety glass, separate shades for the sunroof window and windscreen
High Rise/Gantry	deviating from standard: safety cab structure with fixed built-in front and roof window made from impact-resistant laminated safety glass
<b>Operator's seat Comfort</b>	air cushioned operator's seat with 3D-adjustable armrests, headrest, lap belt, seat heater, adjustable seat cushion inclination and length, lockable horizontal suspension, automatic weight adjustment, adjustable suspension stiffness, pneumatic lumbar vertebrae support and passive seat climatisation with active coal
<b>Operator's seat Premium (Option)</b>	in addition to operator's seat comfort: active electronic weight adjustment (automatic re-adjustment), pneumatic low frequency suspension and active seat climatisation with active coal and ventilator
<b>Control system</b>	joysticks with control consoles and swivel seat, folding left control console
<b>Operation and displays</b>	large high-resolution operating unit, self-explanatory, colour display with touchscreen, video-compatible, numerous setting, control and monitoring options, e.g. air conditioning control, fuel consumption, machine and attachment parameters
<b>Air-conditioning</b>	automatic air-conditioning, recirculated air function, fast de-icing and demisting at the press of a button, air vents can be operated via a menu; recirculated air and fresh air filters can be easily replaced and are accessible from the outside; heating-cooling unit, designed for extreme outside temperatures, sensors for solar radiation, inside and outside temperatures
Refrigerant	R134a
Global warming potential	1,430
Quantity at 25 °C *	1,400 – 2,000 g
CO <sub>2</sub> equivalent *	2.002 – 2.86 t
<b>Vibration emission**</b>	
Hand/arm vibrations	< 2.5 m/s <sup>2</sup>
Whole-body vibrations	< 0.5 m/s <sup>2</sup>
Measuring inaccuracy	according with standard EN 12096:1997



## Equipment

<b>Type</b>	weight-optimised design for bulk and general cargo handling at optimal handling capacity. Complex and stable mountings of equipment and cylinders
<b>Hydraulic cylinders</b>	Liebherr cylinders with special sealing and guide system and, depending on cylinder type, shock absorption
<b>Energy recovering cylinder</b>	Liebherr gas cylinder with special sealing and control system
<b>Bearings</b>	sealed, low maintenance

\* depending on configuration

\*\* for risk assessment according to 2002/44/EC see ISO/TR 25398:2006



## Undercarriage

<b>Mobile</b>	
Versions	Standard, High Rise
Drive	one axle drive per drive axle with Liebherr axial piston motor and functional brake valve on both sides (Standard); one driven axle with transmission with Liebherr axial piston motor and functional brake valve on both sides (High Rise)
Travel speed	
Joystick steering	0 – 3.5 km/h stepless (creeper speed) 0 – 10.0 km/h stepless 0 – 5.0 km/h stepless (creeper speed) (High Rise) 0 – 8.0 km/h stepless (High Rise)
Driving operation	automotive driving using accelerator pedal, cruise control function: storage of variable accelerator pedal positions
Axles	90 t drive axles; manual or automatic hydraulically controlled front axle oscillation lock
Service brake	two circuit travel brake system with accumulator; wet and backlash-free disc brake
Holding brake	wet multi-disc (spring applied, pressure released)
Stabilization	4 point outriggers
<b>Crawler</b>	
Versions	SW, High Rise, Gantry
Drive	Liebherr compact planetary reduction gear with Liebherr axial piston motor per side of undercarriage
Travel speed	
SW	0 – 2.5 km/h stepless (creeper speed) 0 – 4.1 km/h stepless
High Rise	0 – 2.0 km/h stepless (creeper speed) 0 – 2.9 km/h stepless
Gantry	0 – 2.5 km/h stepless (creeper speed) 0 – 3.6 km/h stepless
Brake	functional brake valves on both sides
Holding brake	wet multi-disc (spring applied, pressure released)
Track pads	triple grouser, flat
Tracks	sealed and greased

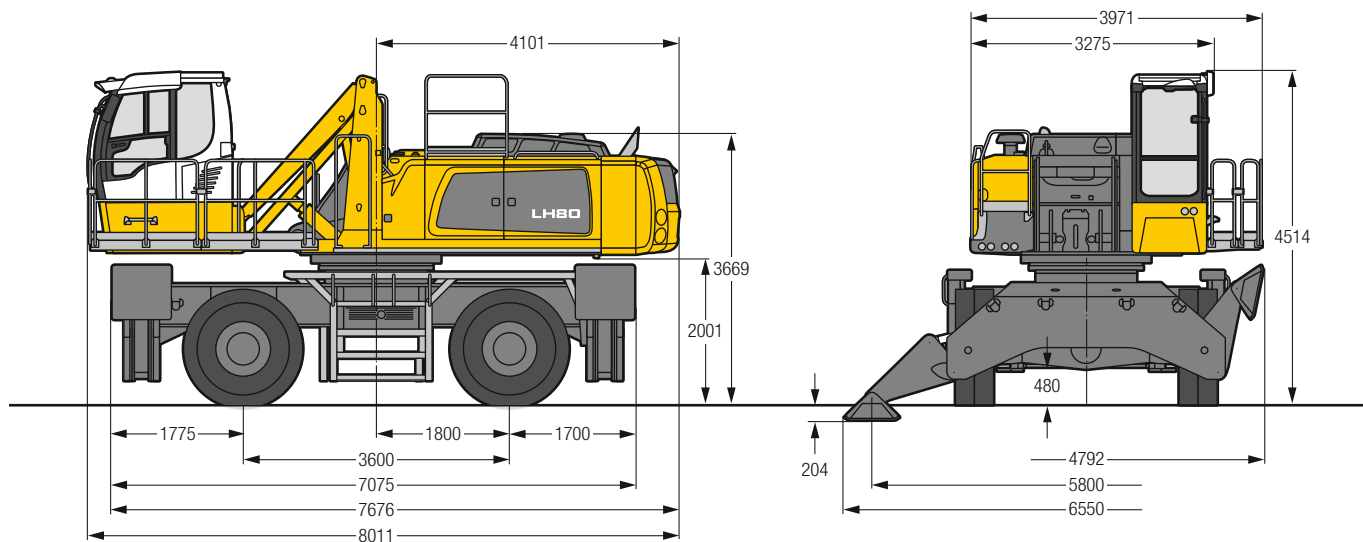


## Complete Machine

<b>Lubrication</b>	Liebherr central lubrication system for upper-carriage and equipment, automatically
Mobile (Option)	Liebherr central lubrication system for undercarriage, automatically
<b>Steps system</b>	safe and durable access system with anti-slip steps; main components hot-galvanised
<b>Noise emission</b>	
ISO 6396	L <sub>PA</sub> (inside cab) = 70 dB(A) (Stage V)
2000/14/EC	L <sub>WA</sub> (surround noise) = 105 dB(A) (Stage V)
ISO 6396	L <sub>PA</sub> (inside cab) = 70 dB(A) (Stage IIIA compliant)
2000/14/EC	L <sub>WA</sub> (surround noise) = 105 dB(A) (Stage IIIA compliant)

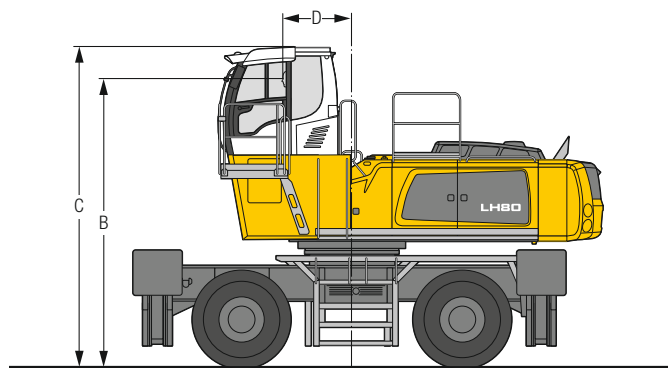
# LH 80 M – Dimensions

## Port



# LH 80 M – Choice of Cab Elevation

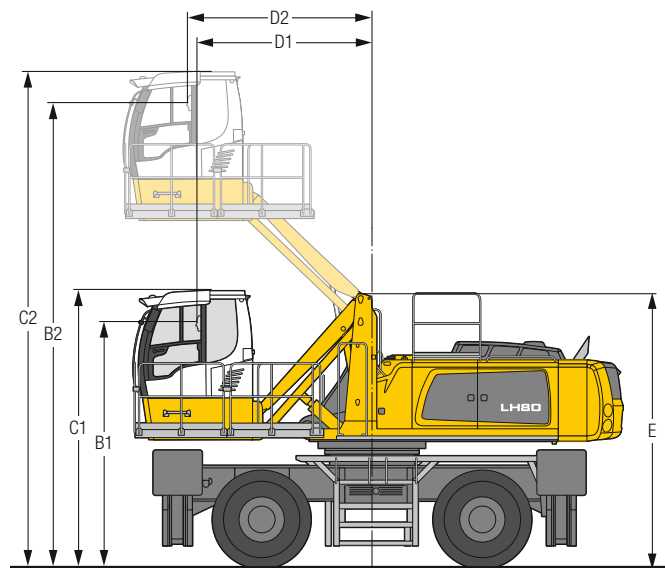
## Cab Elevation LFC (Rigid Elevation)



Increase type		LFC 120	LFC 200
Height	mm	1,200	2,000
B	mm	4,701	5,501
C	mm	5,214	6,014
D	mm	1,128	1,128

A rigid cab elevation has a fixed eye level height. For a lower transport height, the shell of the cab can be removed and replaced by a transport device. The dimension C is in this machine design for all rigid cab elevations 3,958 mm.

## Cab Elevation LHC (Hydraulic Elevation)



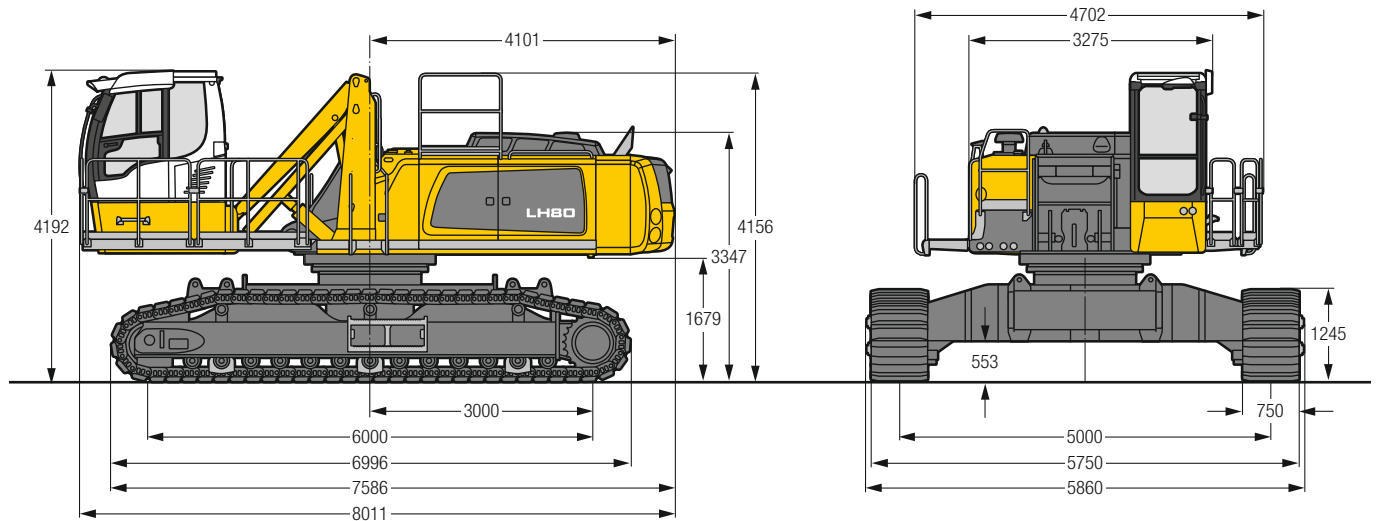
Increase type		LHC 255	LHC 340-35	LHC 360-50
B1	mm	3,501	3,852	4,001
B2	mm	6,048	7,267	7,571
C1	mm	4,014	4,366	4,514
C2	mm	6,561	7,780	8,085
D1	mm	1,683	2,796	2,854
D2	mm	1,809	2,797	3,004
E	mm	3,916	4,306	4,456

The hydraulically adjustable cab allows the driver, that he can choose his field of view freely and at any time within the stroke.

## Tyres 23.5-25

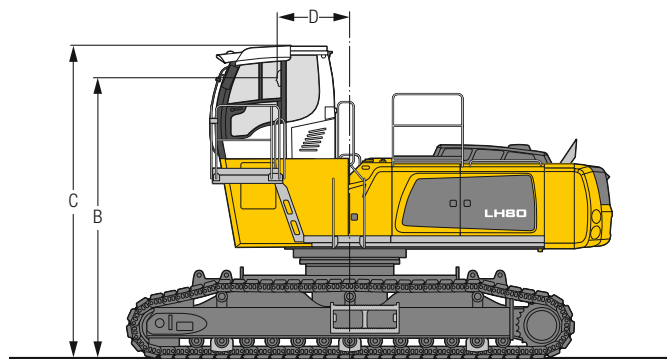
# LH 80 C SW – Dimensions

## Port



# LH 80 C SW – Choice of Cab Elevation

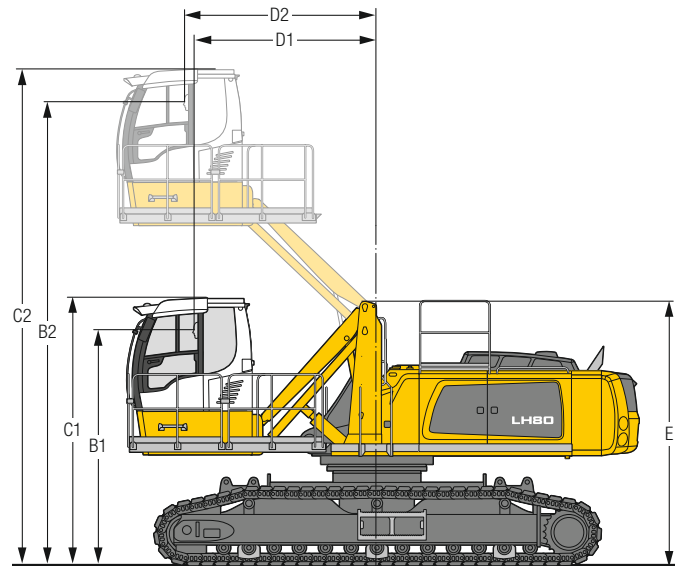
## Cab Elevation LFC (Rigid Elevation)



Increase type		LFC 120	LFC 200
Height	mm	1,200	2,000
B	mm	4,379	5,179
C	mm	4,892	5,692
D	mm	1,128	1,128

A rigid cab elevation has a fixed eye level height. For a lower transport height, the shell of the cab can be removed and replaced by a transport device. The dimension C is in this machine design for all rigid cab elevations 3,996 mm.

## Cab Elevation LHC (Hydraulic Elevation)

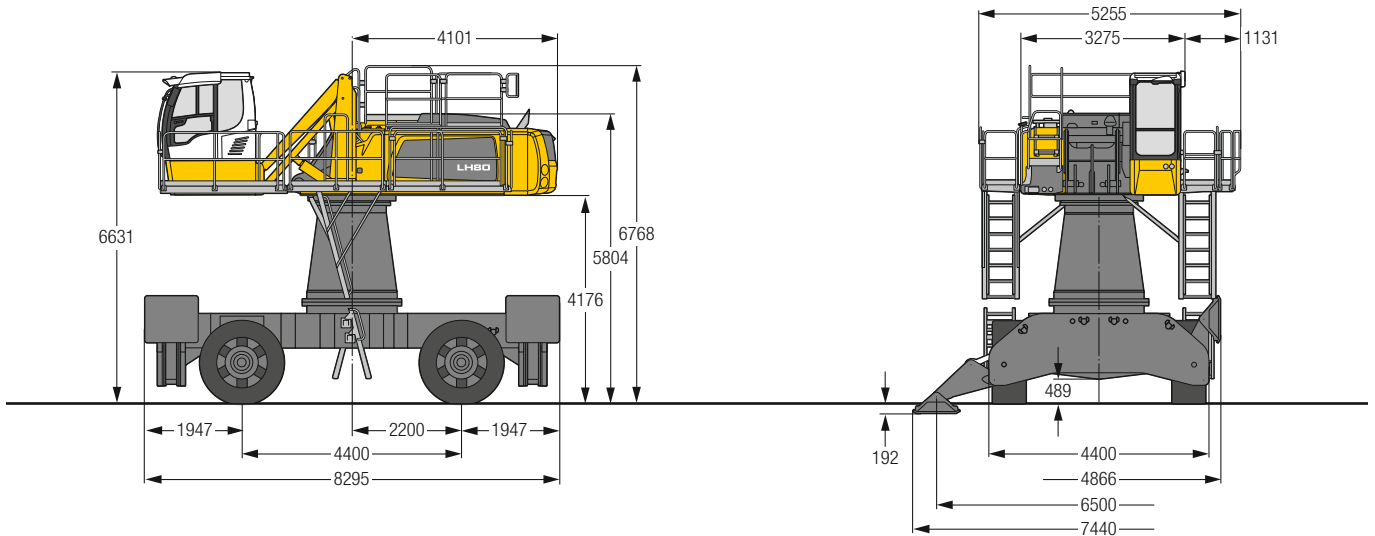


Increase type		LHC 255	LHC 340-35	LHC 360-50
B1	mm	3,179	3,530	3,679
B2	mm	5,726	6,946	7,249
C1	mm	3,693	4,044	4,192
C2	mm	6,239	7,460	7,763
D1	mm	1,683	2,796	2,854
D2	mm	1,809	2,797	3,004
E	mm	3,594	3,984	4,134

The hydraulically adjustable cab allows the driver, that he can choose his field of view freely and at any time within the stroke.

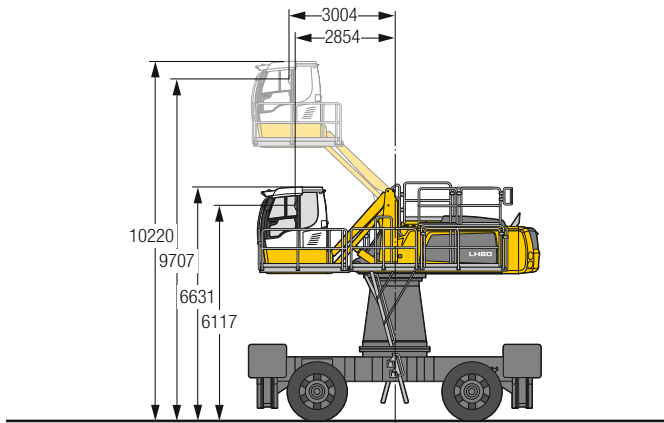
# LH 80 M HR – Dimensions

## Port



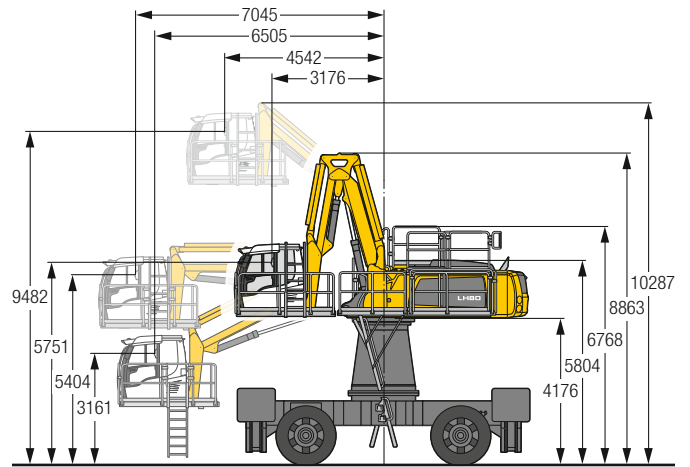
# LH 80 M HR – Choice of Cab Elevation

## Cab Elevation LHC (Hydraulic Elevation)



**Increase type** **LHC 360-50**  
 The hydraulically adjustable cab allows the driver, that he can choose his field of view freely and at any time within the stroke.

## Cab Elevation LHC-D (Hydraulic Elevation)

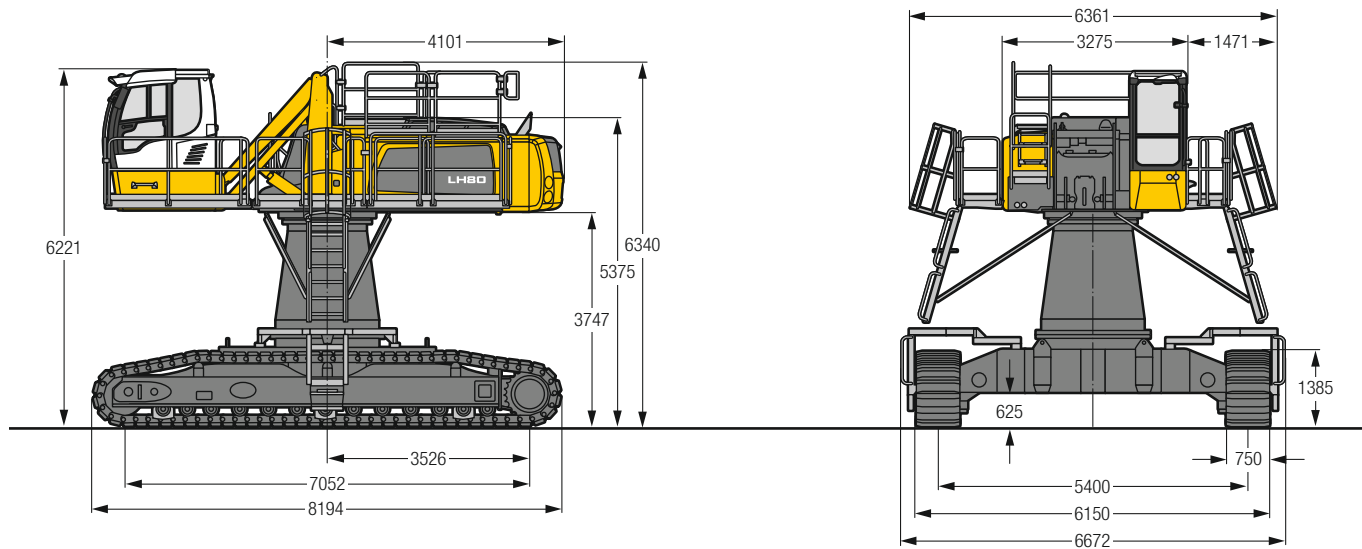


**Increase type** **LHC-D 730**  
 The hydraulically adjustable cab allows the driver, that he can choose his field of view freely and at any time within the stroke.

Tyres 26.5-25

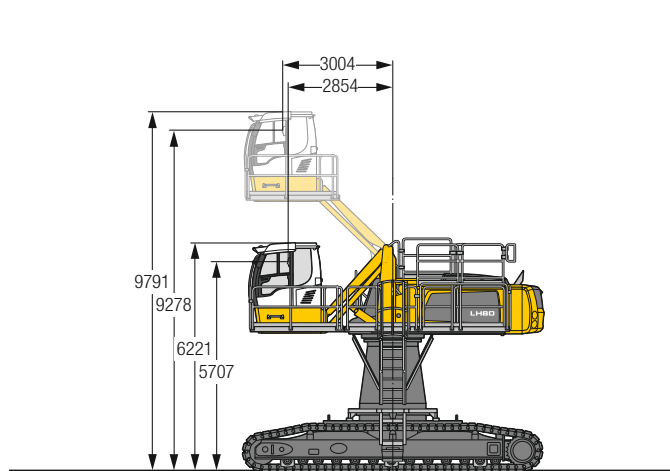
# LH 80 C HR – Dimensions

## Port



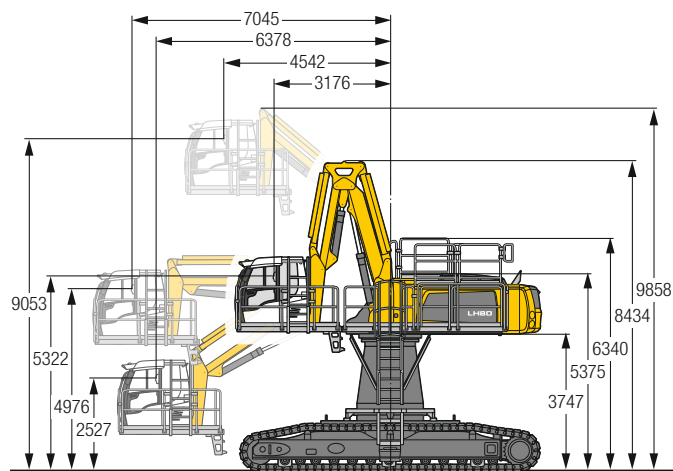
# LH 80 C HR – Choice of Cab Elevation

## Cab Elevation LHC (Hydraulic Elevation)



**Increase type** **LHC 360-50**  
 The hydraulically adjustable cab allows the driver, that he can choose his field of view freely and at any time within the stroke.

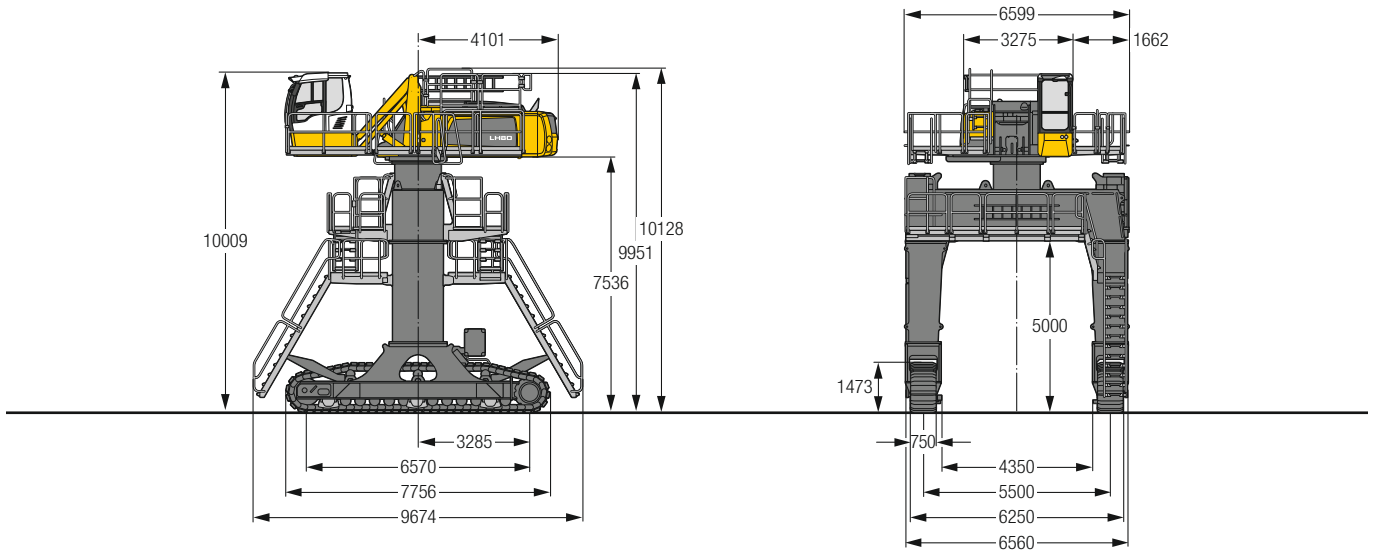
## Cab Elevation LHC-D (Hydraulic Elevation)



**Increase type** **LHC-D 730**  
 The hydraulically adjustable cab allows the driver, that he can choose his field of view freely and at any time within the stroke.

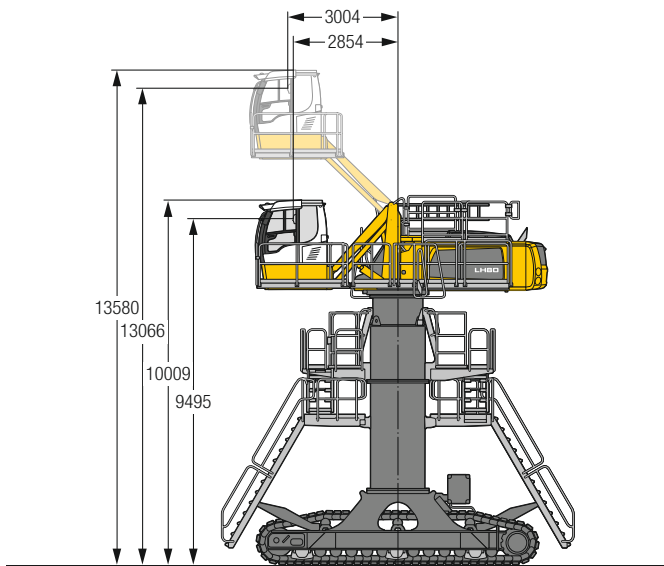
# LH 80 C Gantry – Dimensions

## Port



# LH 80 C Gantry – Cab Elevation

## Cab Elevation LHC (Hydraulic Elevation)



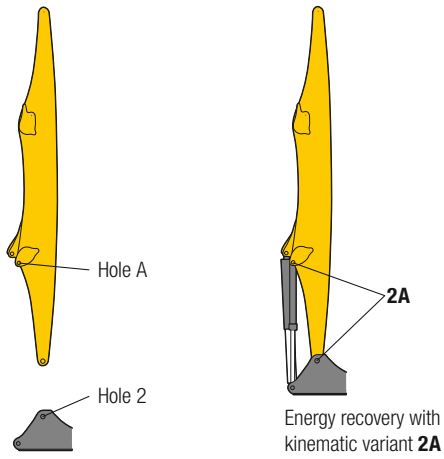
### Increase type

### LHC 360-50

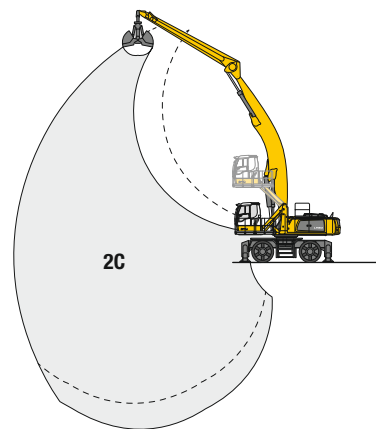
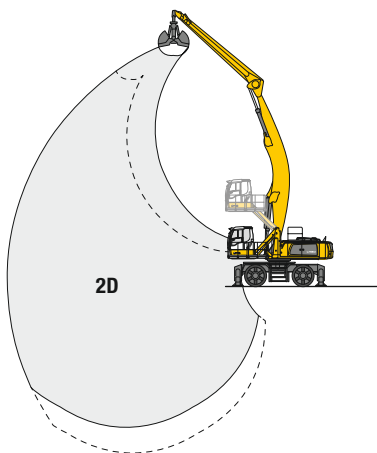
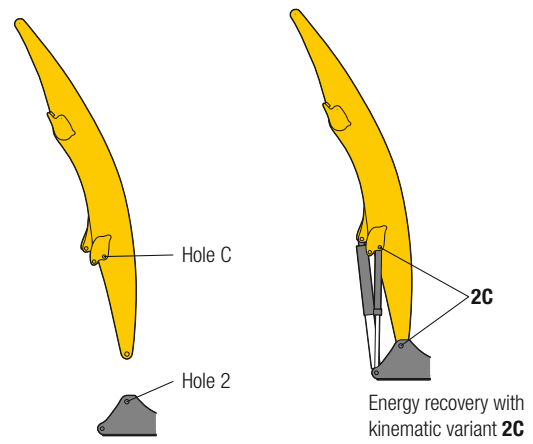
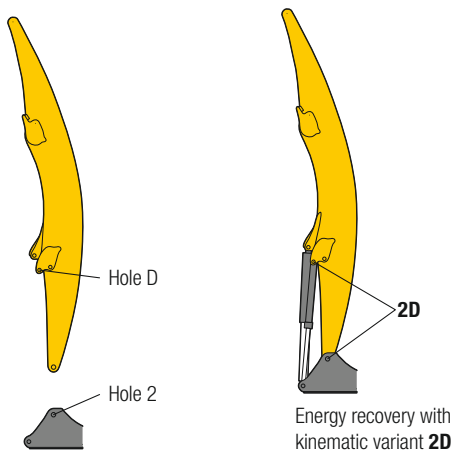
The hydraulically adjustable cab allows the driver, that he can choose his field of view freely and at any time within the stroke.



## Kinematic Variant 2A



## Kinematic Variant 2D/2C

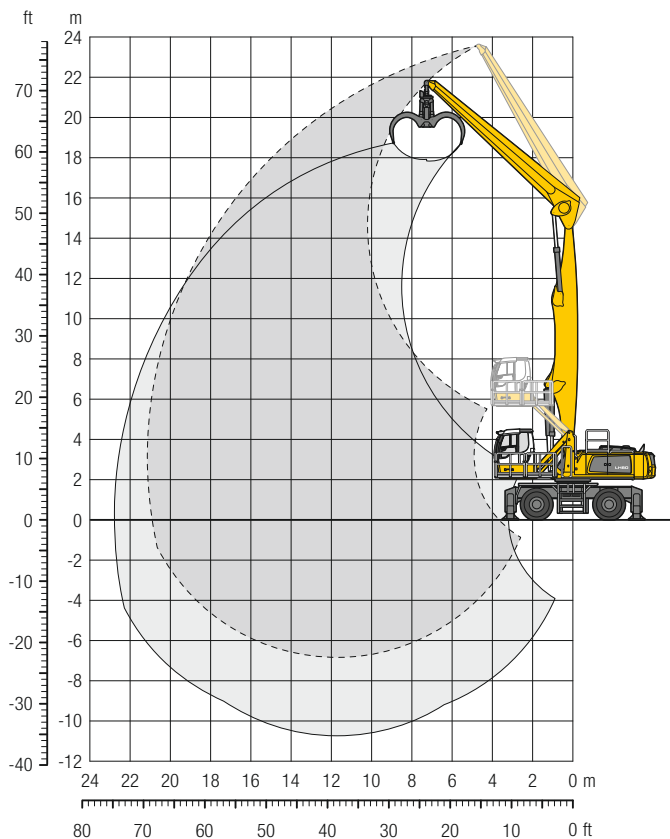


Altered range curve with additional reach depth, e.g. for unloading from ships



# LH 80 M – Equipment GG21

## Port – Kinematic 2A

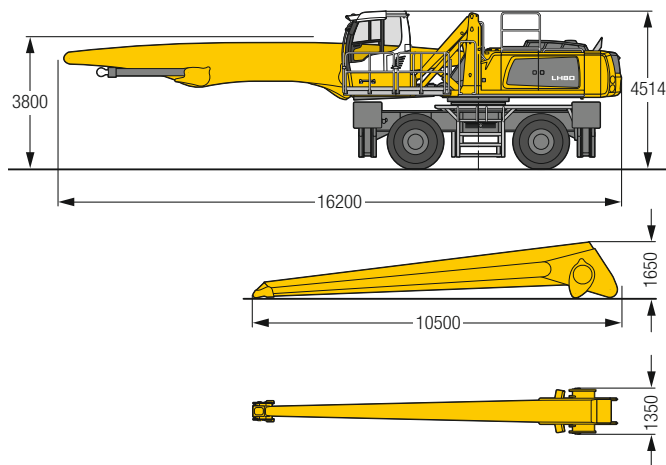


### Operating Weight

The operating weight includes the basic machine with 4 point outriggers, hydr. cab elevation, 4 solid tyres, straight boom 11.50 m, straight stick 10.00 m and wood grab GMH 80/2.2 m<sup>2</sup>.

Weight 80,400 kg

### Dimensions



m	Undercarriage	Reach (m)													m									
		6.0 m	7.5 m	9.0 m	10.5 m	12.0 m	13.5 m	15.0 m	16.5 m	18.0 m	19.5 m	21.0 m	22.5 m	24.0 m	13.5*	13.5*	8.4							
22.5	4 pt. outriggers down		15.2*	15.2*															11.1*	11.1*	11.3			
21.0	4 pt. outriggers down			14.9*	14.9*	12.8*	12.8*												9.9*	9.9*	13.4			
19.5	4 pt. outriggers down					14.5*	14.5*	12.7*	12.7*										9.1*	9.1*	15.1			
18.0	4 pt. outriggers down					14.9*	14.9*	13.6*	13.6*	12.4*	12.4*	9.3*	9.3*						8.6*	8.6*	16.4			
16.5	4 pt. outriggers down					14.6*	14.6*	13.4*	13.4*	12.4*	12.4*	11.6*	11.6*						8.2*	8.2*	17.5			
15.0	4 pt. outriggers down					14.5*	14.5*	13.3*	13.3*	12.3*	12.3*	11.5*	11.5*	10.8*	10.8*				8.0*	8.0*	18.5			
13.5	4 pt. outriggers down					14.5*	14.5*	13.3*	13.3*	12.3*	12.3*	11.4*	11.4*	10.7*	10.7*	9.5*	9.5*		7.8*	7.8*	19.2			
12.0	4 pt. outriggers down					14.7*	14.7*	13.4*	13.4*	12.3*	12.3*	11.4*	11.4*	10.7*	10.7*	10.0*	10.0*		7.7*	7.7*	19.9			
10.5	4 pt. outriggers down					15.0*	15.0*	13.6*	13.6*	12.5*	12.5*	11.5*	11.5*	10.7*	10.7*	10.0*	10.0*	9.0*	9.0*	7.6*	7.6*	20.7		
9.0	4 pt. outriggers down			16.8*	16.8*	15.4*	15.4*	13.9*	13.9*	12.7*	12.7*	11.7*	11.7*	10.8*	10.8*	10.0*	10.0*	9.0	9.3*	7.7*	7.7*	21.0		
7.5	4 pt. outriggers down		16.2*	16.2*	18.0*	18.0*	15.9*	15.9*	14.3*	14.3*	12.9*	12.9*	11.8*	11.8*	10.9*	10.9*	10.1*	10.1*	8.9	9.2*	7.6*	7.6*	21.1	
6.0	4 pt. outriggers down	15.8*	15.8*	19.8*	19.8*	18.9*	18.9*	16.5*	16.5*	14.7*	14.7*	13.2*	13.2*	12.0*	12.0*	11.0*	11.0*	10.1*	10.1*	8.7	9.2*	7.5*	7.5*	21.2
4.5	4 pt. outriggers down	29.5*	29.5*	23.7*	23.7*	19.8*	19.8*	17.1*	17.1*	15.1*	15.1*	13.5*	13.5*	12.2*	12.2*	11.1*	11.1*	10.0	10.1*	8.7	9.2*	7.7	8.0*	21.2
3.0	4 pt. outriggers down	31.7*	31.7*	25.0*	25.0*	20.7*	20.7*	17.7*	17.7*	15.4*	15.4*	13.7*	13.7*	12.3*	12.3*	11.1*	11.1*	9.8	10.1*	8.6	9.0*	7.6	7.7*	21.1
1.5	4 pt. outriggers down	16.4*	16.4*	25.9*	25.9*	21.3*	21.3*	18.1*	18.1*	15.7*	15.7*	13.9*	13.9*	12.4*	12.4*	11.0	11.1*	9.6	9.9*	8.5	8.8*	7.2*	7.2*	20.9
0	4 pt. outriggers down	11.4*	11.4*	26.2*	26.2*	21.5*	21.5*	18.2*	18.2*	15.8*	15.8*	13.9*	13.9*	12.3*	12.3*	10.7	10.9*	9.4	9.7*	8.4*	8.4*	7.1*	7.1*	20.5
-1.5	4 pt. outriggers down	10.9*	10.9*	21.2*	21.2*	21.3*	21.3*	18.0*	18.0*	15.6*	15.6*	13.6*	13.6*	12.0*	12.0*	10.5	10.6*	9.2*	9.2*	7.7*	7.7*	6.4*	6.4*	19.6
-3.0	4 pt. outriggers down	11.6*	11.6*	19.5*	19.5*	20.4*	20.4*	17.4*	17.4*	15.0*	15.0*	13.1*	13.1*	11.4*	11.4*	9.9*	9.9*	8.4*	8.4*	6.5*	6.5*	7.1*	7.1*	18.1
-4.5	4 pt. outriggers down	12.8*	12.8*	19.6*	19.6*	18.7*	18.7*	16.1*	16.1*	14.0*	14.0*	12.1*	12.1*	10.5*	10.5*	8.9*	8.9*	7.1*	7.1*	8.4*	8.4*	8.4*	8.4*	15.6
-6.0	4 pt. outriggers down			16.2*	16.2*	14.2*	14.2*	12.3*	12.3*	10.6*	10.6*	9.0*	9.0*											

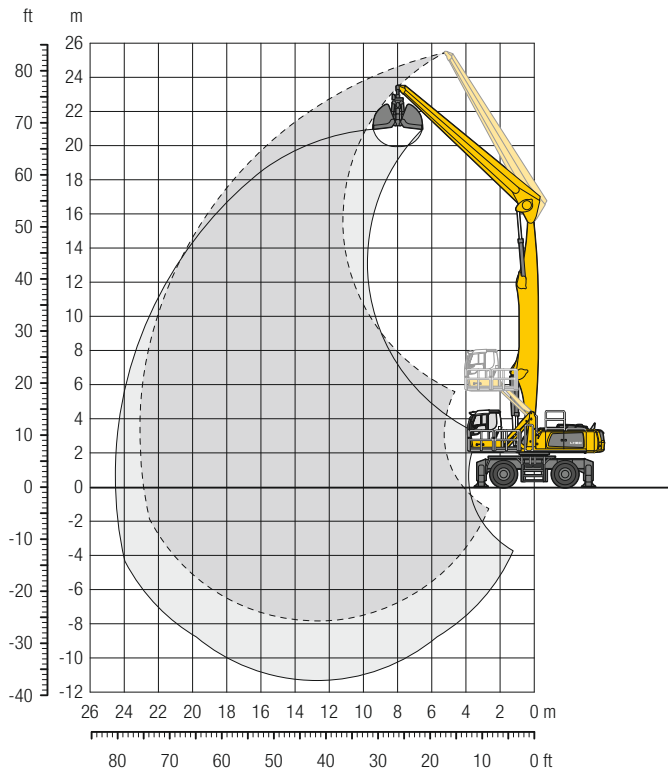
Height Can be slewed through 360° In longitudinal position of undercarriage Max. reach \* Limited by hydr. capacity

The lift capacities on the stick end without attachment are stated in metric tons (t) and are valid on a firm, level supporting surface with blocked oscillating axle. These capacities can be slewed through 360° with the undercarriage in the transverse position. Capacities in the longitudinal position of the undercarriage (+/- 15°) are specified over the rigid axle with the stabilizers down. Indicated loads based on the ISO 10567 standard and do not exceed 75% of tipping or 87% of hydraulic capacity. The lift capacity values indicated are attained at the corresponding operating temperature. This operating temperature is ensured by continuous movement of the boom. Weights of fitted attachments (grabs, load hooks, etc.) and load accommodation attachment are to be deducted from the lift capacity values. The lift capacity of the unit is limited by its stability, the lifting capability of the hydraulic elements, or the maximum permissible lifting capacity of the load hook.

In accordance with the harmonised European Standard EN 474-5, hydraulic excavators used for lifting operations must be equipped with pipe fracture safety valves, an overload warning device, a load hook and a lift capacity chart.

# LH 80 M – Equipment GG23

## Port – Kinematic 2A

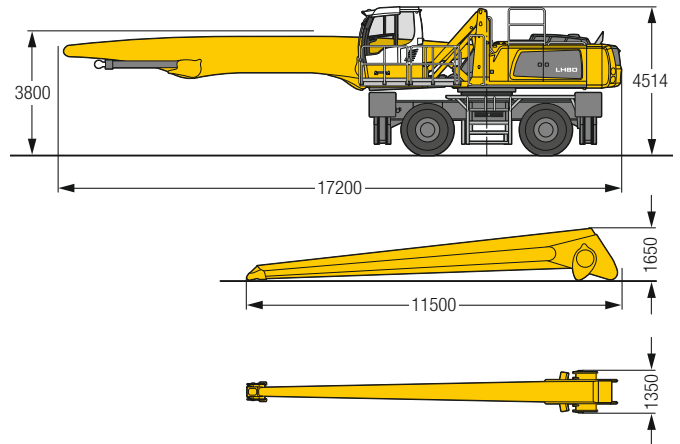


### Operating Weight

The operating weight includes the basic machine with 4 point outriggers, hydr. cab elevation, 4 solid tyres, straight boom 12.50 m, straight stick 11.00 m and grab for loose material GMZ 80/6.00 m<sup>3</sup>.

Weight 82,200 kg

### Dimensions



m	Undercarriage	6.0 m	7.5 m	9.0 m	10.5 m	12.0 m	13.5 m	15.0 m	16.5 m	18.0 m	19.5 m	21.0 m	22.5 m	24.0 m	m
		15.4*	15.4*	11.1*	11.1*	10.0	9.4*	9.4*	12.7	12.7*	11.7*	11.7*	10.8*	10.8*	
25.5	4 pt. outriggers down														15.4*
24.0	4 pt. outriggers down		14.8*	14.8*	12.9*	12.9*									11.1*
22.5	4 pt. outriggers down			14.2*	14.2*	12.8*	12.8*	10.8*	10.8*						9.4*
21.0	4 pt. outriggers down					13.7*	13.7*	12.5*	12.5*	10.8*	10.8*				9.4*
19.5	4 pt. outriggers down							12.9*	12.9*	11.9*	11.9*	10.6*	10.6*		7.8*
18.0	4 pt. outriggers down							12.7*	12.7*	11.7*	11.7*	10.8*	10.8*	10.1*	10.1*
16.5	4 pt. outriggers down							12.6*	12.6*	11.6*	11.6*	10.7*	10.7*	10.0*	10.0*
15.0	4 pt. outriggers down							12.6*	12.6*	11.6*	11.6*	10.7*	10.7*	9.9*	9.9*
13.5	4 pt. outriggers down							12.7*	12.7*	11.6*	11.6*	10.7*	10.7*	9.9*	9.9*
12.0	4 pt. outriggers down							12.8*	12.8*	11.7*	11.7*	10.8*	10.8*	10.0*	10.0*
10.5	4 pt. outriggers down									14.5*	14.5*	13.0*	13.0*	11.9*	11.9*
9.0	4 pt. outriggers down											14.7*	14.7*	14.9*	14.9*
7.5	4 pt. outriggers down													13.8*	13.8*
6.0	4 pt. outriggers down	13.2*	13.2*	17.1*	17.1*	18.3*	18.3*	15.9*	15.9*	14.0*	14.0*	12.5*	12.5*	11.3*	11.3*
4.5	4 pt. outriggers down	26.6*	26.6*	22.9*	22.9*	19.1*	19.1*	16.4*	16.4*	14.4*	14.4*	12.8*	12.8*	11.5*	11.5*
3.0	4 pt. outriggers down	30.5*	30.5*	24.0*	24.0*	19.8*	19.8*	16.8*	16.8*	14.7*	14.7*	13.0*	13.0*	11.6*	11.6*
1.5	4 pt. outriggers down	11.8*	11.8*	24.7*	24.7*	20.3*	20.3*	17.2*	17.2*	14.9*	14.9*	13.1*	13.1*	11.7*	11.7*
0	4 pt. outriggers down	8.4*	8.4*	20.0*	20.0*	20.5*	20.5*	17.3*	17.3*	15.0*	15.0*	13.1*	13.1*	11.7*	11.7*
-1.5	4 pt. outriggers down	8.2*	8.2*	15.6*	15.6*	20.2*	20.2*	17.2*	17.2*	14.8*	14.8*	13.0*	13.0*	11.5*	11.5*
-3.0	4 pt. outriggers down	8.8*	8.8*	14.5*	14.5*	19.5*	19.5*	16.6*	16.6*	14.4*	14.4*	12.6*	12.6*	11.1*	11.1*
-4.5	4 pt. outriggers down	9.8*	9.8*	14.7*	14.7*	18.1*	18.1*	15.6*	15.6*	13.6*	13.6*	11.9*	11.9*	10.4*	10.4*
-6.0	4 pt. outriggers down			15.5*	15.5*	16.1*	16.1*	14.1*	14.1*	12.3*	12.3*	10.8*	10.8*	9.4*	9.4*
-7.5	4 pt. outriggers down					11.9*	11.9*	10.6*	10.6*	9.2*	9.2*	7.9*	7.9*		

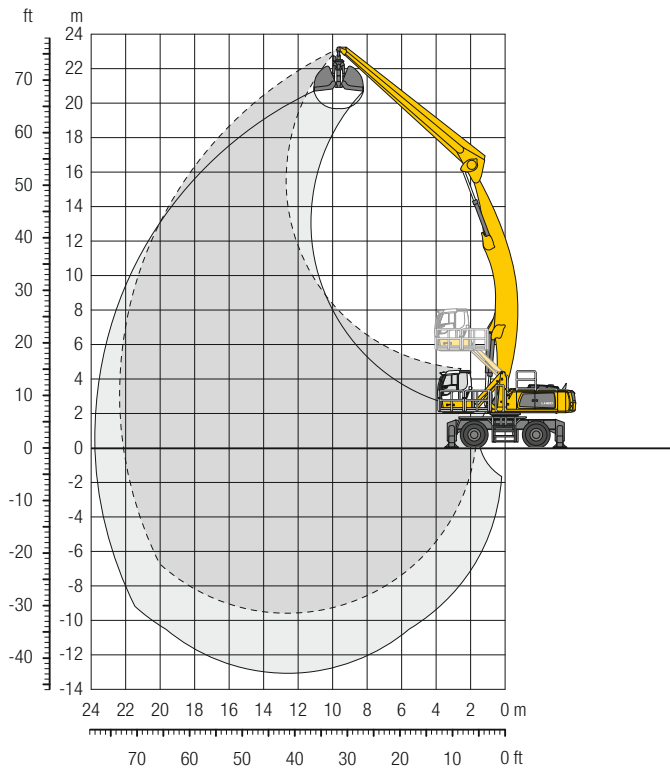
Height Can be slewed through 360° In longitudinal position of undercarriage Max. reach \* Limited by hydr. capacity

The lift capacities on the stick end without attachment are stated in metric tons (t) and are valid on a firm, level supporting surface with blocked oscillating axle. These capacities can be slewed through 360° with the undercarriage in the transverse position. Capacities in the longitudinal position of the undercarriage (+/- 15°) are specified over the rigid axle with the stabilizers down. Indicated loads based on the ISO 10567 standard and do not exceed 75% of tipping or 87% of hydraulic capacity. The lift capacity values indicated are attained at the corresponding operating temperature. This operating temperature is ensured by continuous movement of the boom. Weights of fitted attachments (grabs, load hooks, etc.) and load accommodation attachment are to be deducted from the lift capacity values. The lift capacity of the unit is limited by its stability, the lifting capability of the hydraulic elements, or the maximum permissible lifting capacity of the load hook.

In accordance with the harmonised European Standard EN 474-5, hydraulic excavators used for lifting operations must be equipped with pipe fracture safety valves, an overload warning device, a load hook and a lift capacity chart.

# LH 80 M – Equipment AG22

## Port – Kinematic 2D

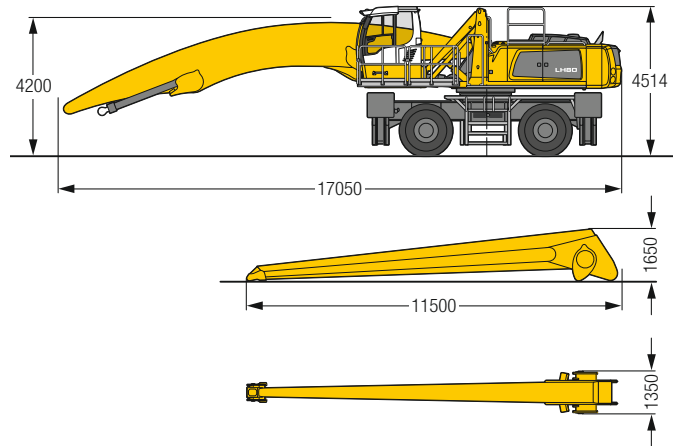


### Operating Weight

The operating weight includes the basic machine with 4 point outriggers, hydr. cab elevation, 4 solid tyres, angled boom 12.50 m, straight stick 11.00 m and grab for loose material GMZ 80/6.00 m<sup>3</sup>.

Weight 82,800 kg

### Dimensions



m	Undercarriage	6.0 m	7.5 m	9.0 m	10.5 m	12.0 m	13.5 m	15.0 m	16.5 m	18.0 m	19.5 m	21.0 m	22.5 m	24.0 m	m				
24.0	4 pt. outriggers down														9.2*	9.2*	11.1		
22.5	4 pt. outriggers down				10.1*	10.1*									8.3*	8.3*	13.4		
21.0	4 pt. outriggers down					10.2*	10.2*								8.3*	8.3*	15.2		
19.5	4 pt. outriggers down					10.7*	10.7*	10.0*	10.0*	8.1*	8.1*				7.4*	7.4*	16.7		
18.0	4 pt. outriggers down							9.8*	9.8*	9.2*	9.2*	7.8*	7.8*		7.1*	7.1*	19.0		
16.5	4 pt. outriggers down							9.7*	9.7*	9.1*	9.1*	8.6*	8.6*		7.0*	7.0*	19.8		
15.0	4 pt. outriggers down							9.6*	9.6*	9.0*	9.0*	8.5*	8.5*	8.1*	8.1*	7.6*	7.6*		
13.5	4 pt. outriggers down							9.7*	9.7*	9.1*	9.1*	8.5*	8.5*	8.1*	8.1*	7.7*	7.7*		
12.0	4 pt. outriggers down							9.8*	9.8*	9.1*	9.1*	8.6*	8.6*	8.1*	8.1*	7.8*	7.8*		
10.5	4 pt. outriggers down					10.8*	10.8*	10.0*	10.0*	9.3*	9.3*	8.7*	8.7*	8.2*	8.2*	7.8*	7.8*		
9.0	4 pt. outriggers down				12.3*	12.3*	11.2*	11.2*	10.2*	10.2*	9.5*	9.5*	8.8*	8.8*	8.3*	8.3*	7.8*	7.8*	
7.5	4 pt. outriggers down				12.9*	12.9*	11.6*	11.6*	10.5*	10.5*	9.7*	9.7*	9.0*	9.0*	8.4*	8.4*	7.9*	7.9*	
6.0	4 pt. outriggers down		18.1*	18.1*	15.4*	15.4*	13.5*	13.5*	12.0*	12.0*	10.9*	10.9*	10.0*	10.0*	9.2*	9.2*	8.6*	8.6*	
4.5	4 pt. outriggers down	24.4*	24.4*	19.6*	19.6*	16.4*	16.4*	14.2*	14.2*	12.5*	12.5*	11.3*	11.3*	10.2*	10.2*	9.4*	9.4*	8.7*	8.7*
3.0	4 pt. outriggers down	26.8*	26.8*	21.1*	21.1*	17.4*	17.4*	14.9*	14.9*	13.0*	13.0*	11.6*	11.6*	10.5*	10.5*	9.6*	9.6*	8.9*	8.9*
1.5	4 pt. outriggers down	19.3*	19.3*	22.4*	22.4*	18.3*	18.3*	15.5*	15.5*	13.5*	13.5*	12.0*	12.0*	10.8*	10.8*	9.8*	9.8*	9.0*	9.0*
0	4 pt. outriggers down	13.0*	13.0*	23.3*	23.3*	19.0*	19.0*	16.1*	16.1*	13.9*	13.9*	12.3*	12.3*	11.0*	11.0*	10.0*	10.0*	9.1*	9.1*
-1.5	4 pt. outriggers down	11.6*	11.6*	19.8*	19.8*	19.5*	19.5*	16.4*	16.4*	14.2*	14.2*	12.5*	12.5*	11.1*	11.1*	10.0*	10.0*	9.0*	9.0*
-3.0	4 pt. outriggers down	11.5*	11.5*	17.6*	17.6*	19.6*	19.6*	16.6*	16.6*	14.3*	14.3*	12.6*	12.6*	11.2*	11.2*	10.0*	10.0*	8.8*	8.8*
-4.5	4 pt. outriggers down	11.9*	11.9*	17.0*	17.0*	19.4*	19.4*	16.5*	16.5*	14.2*	14.2*	12.5*	12.5*	11.1*	11.1*	9.8*	9.9*	8.7*	8.8*
-6.0	4 pt. outriggers down	12.6*	12.6*	17.1*	17.1*	18.7*	18.7*	16.0*	16.0*	13.9*	13.9*	12.2*	12.2*	10.8*	10.8*	9.5*	9.5*	8.4*	8.4*
-7.5	4 pt. outriggers down		17.6*	17.6*	17.5*	17.5*	15.1*	15.1*	13.2*	13.2*	11.5*	11.5*	10.2*	10.2*	8.9*	8.9*	7.7*	7.7*	
-9.0	4 pt. outriggers down				13.7*	13.7*	12.0*	12.0*	10.5*	10.5*	9.1*	9.1*			8.4*	8.4*	7.3*	7.3*	

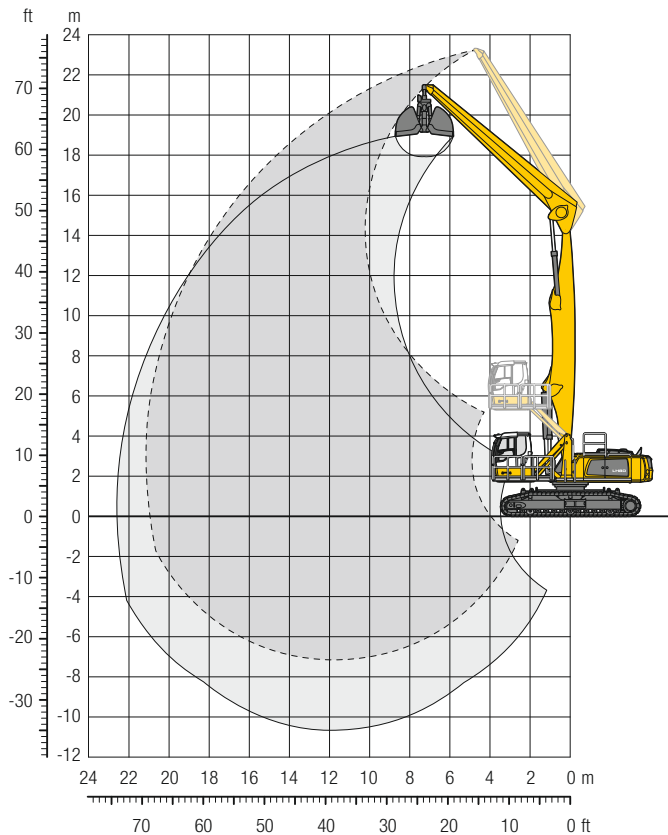
Height Can be slewed through 360° In longitudinal position of undercarriage Max. reach \* Limited by hydr. capacity

The lift capacities on the stick end without attachment are stated in metric tons (t) and are valid on a firm, level supporting surface with blocked oscillating axle. These capacities can be slewed through 360° with the undercarriage in the transverse position. Capacities in the longitudinal position of the undercarriage (+/- 15°) are specified over the rigid axle with the stabilizers down. Indicated loads based on the ISO 10567 standard and do not exceed 75% of tipping or 87% of hydraulic capacity. The lift capacity values indicated are attained at the corresponding operating temperature. This operating temperature is ensured by continuous movement of the boom. Weights of fitted attachments (grabs, load hooks, etc.) and load accommodation attachment are to be deducted from the lift capacity values. The lift capacity of the unit is limited by its stability, the lifting capability of the hydraulic elements, or the maximum permissible lifting capacity of the load hook.

In accordance with the harmonised European Standard EN 474-5, hydraulic excavators used for lifting operations must be equipped with pipe fracture safety valves, an overload warning device, a load hook and a lift capacity chart.

# LH 80 C SW – Equipment GG21

## Port – Kinematic 2A

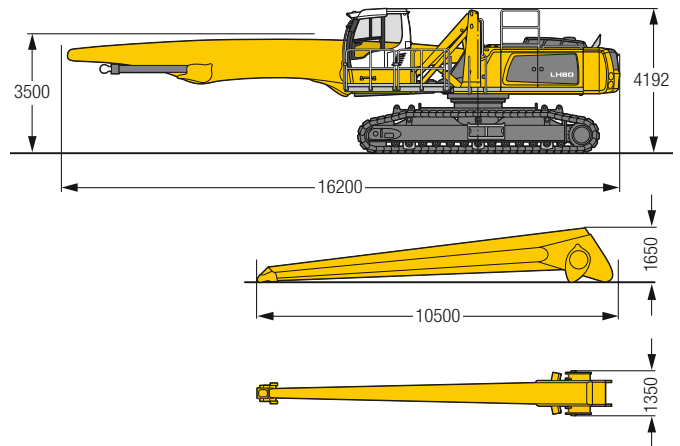


### Operating Weight and Ground Pressure

The operating weight includes the basic machine with hydr. cab elevation, straight boom 11.50 m, straight stick 10.00 m and grab for loose material GMZ 80/6.00 m<sup>3</sup>.

Weight	85,600 kg
Pad width	750 mm
Ground pressure	on request

### Dimensions



m	Undercarriage	Stick Length (m)														m												
		6.0 m	7.5 m	9.0 m	10.5 m	12.0 m	13.5 m	15.0 m	16.5 m	18.0 m	19.5 m	21.0 m	22.5 m	24.0 m														
22.5	SW	17.1*	17.1*															14.7*	14.7*	7.3								
21.0	SW			14.5*	14.5*	11.8*	11.8*												11.6*	11.6*	10.6							
19.5	SW			15.6*	15.6*	14.2*	14.2*	12.1*	12.1*										10.2*	10.2*	12.9							
18.0	SW					15.0*	15.0*	13.7*	13.7*	11.8*	11.8*								9.3*	9.3*	14.6							
16.5	SW					14.7*	14.7*	13.4*	13.4*	12.4*	12.4*	11.3*	11.3*						8.7*	8.7*	16.1							
15.0	SW					14.5*	14.5*	13.3*	13.3*	12.3*	12.3*	11.5*	11.5*	10.4*	10.4*				8.3*	8.3*	17.2							
13.5	SW					14.5*	14.5*	13.3*	13.3*	12.3*	12.3*	11.4*	11.4*	10.7*	10.7*	8.8*	8.8*			8.0*	8.0*	18.2						
12.0	SW					14.6*	14.6*	13.4*	13.4*	12.3*	12.3*	11.4*	11.4*	10.7*	10.7*	9.8*	10.0*			7.8*	7.8*	19.0						
10.5	SW					14.9*	14.9*	13.5*	13.5*	12.4*	12.4*	11.5*	11.5*	10.7*	10.7*	9.8*	10.0*	8.4*	8.5*			7.7*	7.7*	19.7				
9.0	SW			16.6*	16.6*	15.3*	15.3*	13.8*	13.8*	12.6*	12.6*	11.6*	11.6*	10.8*	10.8*	9.7*	10.0*	8.4*	9.3*			7.7*	7.7*	20.2				
7.5	SW			17.8*	17.8*	15.8*	15.8*	14.2*	14.2*	12.9*	12.9*	11.8*	11.8*	10.9*	10.9*	9.6*	10.1*	8.3*	9.3*			7.4*	7.6*	20.6				
6.0	SW	14.6*	14.6*	18.4*	18.4*	18.7*	18.7*	16.3*	16.3*	14.6*	14.6*	13.1*	13.1*	12.0*	12.0*	10.9*	11.0*	9.4*	10.1*	8.2*	9.3*			7.2*	7.7*	20.9		
4.5	SW	23.1*	23.1*	23.3*	23.3*	19.6*	19.6*	16.9*	16.9*	15.0*	15.0*	13.4*	13.4*	12.1*	12.1*	10.7*	11.1*	9.3*	10.1*	8.1*	9.2*	7.1*	8.0*			7.1*	7.7*	21.1
3.0	SW	31.2*	31.2*	24.7*	24.7*	20.5*	20.5*	17.5*	17.5*	15.4*	15.4*	13.7*	13.7*	12.1*	12.3*	10.4*	11.1*	9.1*	10.1*	8.0*	9.1*	7.0*	7.8*			7.0*	7.6*	21.2
1.5	SW	20.7*	20.7*	25.7*	25.7*	21.2*	21.2*	18.0*	18.0*	15.6*	15.6*	13.7*	13.8*	11.7*	12.4*	10.1*	11.1*	8.9*	10.0*	7.8*	8.9*	7.0*	7.4*			6.9*	7.2*	21.1
0	SW	12.1*	12.1*	26.2*	26.2*	21.5*	21.5*	18.2*	18.2*	15.7*	15.8*	13.3*	13.9*	11.4*	12.3*	9.9*	11.0*	8.7*	9.8*	7.7*	8.5*			6.7*	6.7*	21.0		
-1.5	SW	10.8*	10.8*	22.4*	22.4*	21.4*	21.4*	18.1*	18.1*	15.2*	15.7*	12.9*	13.7*	11.1*	12.1*	9.7*	10.7*	8.6*	9.4*	7.7*	7.9*			6.1*	6.1*	20.7		
-3.0	SW	11.3*	11.3*	19.7*	19.7*	20.7*	20.7*	17.6*	17.6*	14.8*	15.2*	12.6*	13.3*	10.9*	11.6*	9.6*	10.1*	8.5*	8.7*	6.9*	6.9*			6.3*	6.3*	19.9		
-4.5	SW	12.4*	12.4*	19.4*	19.4*	19.3*	19.3*	16.5*	16.5*	14.3*	14.3*	12.4*	12.4*	10.8*	10.8*	9.2*	9.2*	7.6*	7.6*			6.8*	6.8*	18.6				
-6.0	SW			19.5*	19.5*	17.0*	17.0*	14.8*	14.8*	12.9*	12.9*	11.1*	11.1*	9.5*	9.5*									7.9*	7.9*	16.5		

 **Height**
 **Can be slewed through 360°**
 **In longitudinal position of undercarriage**
 **Max. reach**
 \* Limited by hydr. capacity

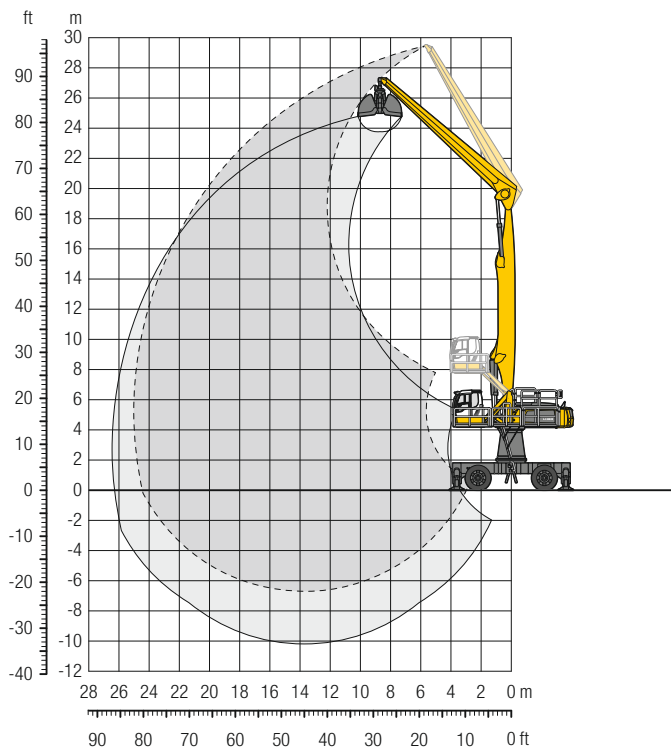
The lift capacities on the stick end without attachment are stated in metric tons (t) and can be slewed through 360° on a firm, level supporting surface. Capacities are valid for 750 mm wide flat pads. Indicated loads based on the ISO 10567 standard and do not exceed 75% of tipping or 87% of hydraulic capacity. The lift capacity values indicated are attained at the corresponding operating temperature. This operating temperature is ensured by continuous movement of the boom. Weights of fitted attachments (grabs, load hooks, etc.) and load accommodation attachment are to be deducted from the lift capacity values. The lift capacity of the unit is limited by its stability, the lifting capability of the hydraulic elements, or the maximum permissible lifting capacity of the load hook.

In accordance with the harmonised European Standard EN 474-5, hydraulic excavators used for lifting operations must be equipped with pipe fracture safety valves, an overload warning device, a load hook and a lift capacity chart.



# LH 80 M HR – Equipment GG25

## Port – Kinematic 2A

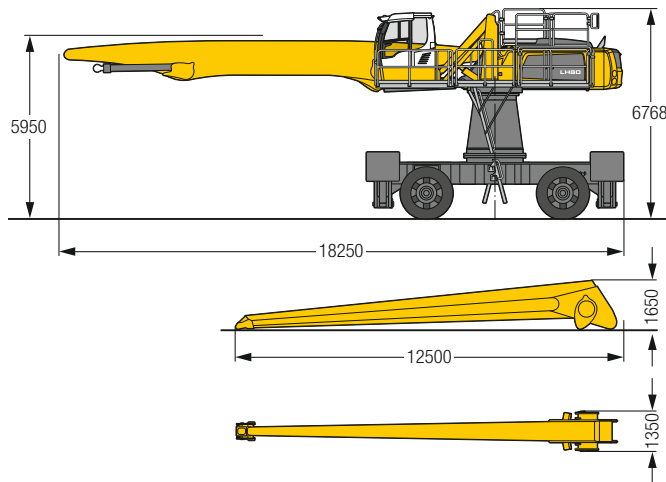


### Operating Weight

The operating weight includes the basic machine with 4 point outriggers, turret 2,000 mm, hydr. cab elevation, 4 solid tyres, straight boom 13.50 m, straight stick 12.00 m and grab for loose material GMZ 80/4.00 m<sup>3</sup>.

Weight 94,000 kg

### Dimensions



	6.0 m	7.5 m	9.0 m	10.5 m	12.0 m	13.5 m	15.0 m	16.5 m	18.0 m	19.5 m	21.0 m	22.5 m	24.0 m		m
<b>28.5</b> m														<b>9.0</b>	
<b>27.0</b> m														<b>12.2</b>	
<b>25.5</b> m														<b>14.6</b>	
<b>24.0</b> m														<b>16.5</b>	
<b>22.5</b> m														<b>18.1</b>	
<b>21.0</b> m														<b>19.4</b>	
<b>19.5</b> m														<b>20.6</b>	
<b>18.0</b> m														<b>21.5</b>	
<b>16.5</b> m														<b>22.3</b>	
<b>15.0</b> m														<b>23.0</b>	
<b>13.5</b> m														<b>23.6</b>	
<b>12.0</b> m														<b>24.1</b>	
<b>10.5</b> m														<b>24.5</b>	
<b>9.0</b> m														<b>24.7</b>	
<b>7.5</b> m														<b>24.9</b>	
<b>6.0</b> m														<b>25.0</b>	
<b>4.5</b> m														<b>24.9</b>	
<b>3.0</b> m														<b>24.7</b>	
<b>1.5</b> m														<b>24.4</b>	
<b>0</b> m														<b>23.6</b>	
<b>-1.5</b> m														<b>22.4</b>	
<b>-3.0</b> m														<b>20.6</b>	
<b>-4.5</b> m														<b>17.7</b>	
<b>-6.0</b> m															

**Height** **Can be slewed through 360°** **In longitudinal position of undercarriage** **Max. reach** \* Limited by hydr. capacity

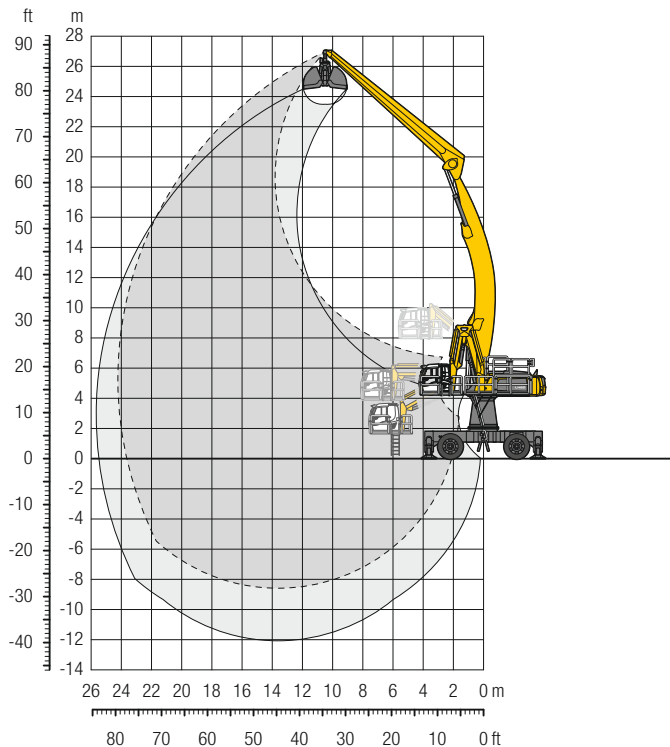
The lift capacities on the stick end without attachment are stated in metric tons (t) and are valid on a firm, level supporting surface with blocked oscillating axle. These capacities can be slewed through 360° with the undercarriage in the transverse position. Capacities in the longitudinal position of the undercarriage (+/- 15°) are specified over the rigid axle with the stabilizers down. Indicated loads based on the ISO 10567 standard and do not exceed 75% of tipping or 87% of hydraulic capacity. The lift capacity values indicated are attained at the corresponding operating temperature. This operating temperature is ensured by continuous movement of the boom. Weights of fitted attachments (grabs, load hooks, etc.) and load accommodation attachment are to be deducted from the lift capacity values. The lift capacity of the unit is limited by its stability, the lifting capability of the hydraulic elements, or the maximum permissible lifting capacity of the load hook.

In accordance with the harmonised European Standard EN 474-5, hydraulic excavators used for lifting operations must be equipped with pipe fracture safety valves, an overload warning device, a load hook and a lift capacity chart.



# LH 80 M HR – Equipment AG24

## Port – Kinematic 2D

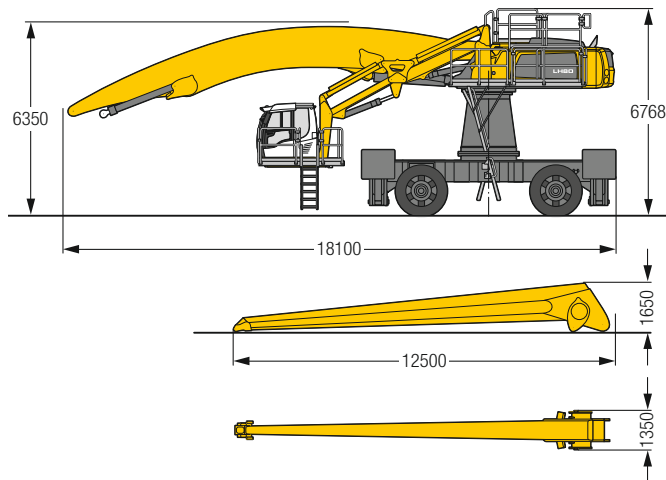


### Operating Weight

The operating weight includes the basic machine with 4 point outriggers, turret 2,000 mm, hydr. cab elevation, 4 solid tyres, angled boom 13.50 m, straight stick 12.00 m and grab for loose material GMZ 80/4.00 m<sup>3</sup>.

Weight 97,300 kg

### Dimensions



	6.0 m	7.5 m	9.0 m	10.5 m	12.0 m	13.5 m	15.0 m	16.5 m	18.0 m	19.5 m	21.0 m	22.5 m	24.0 m		m
<b>27.0</b> 4 pt. outriggers down															
<b>25.5</b> 4 pt. outriggers down					9.2*	9.2*									7.9* 7.9*
<b>24.0</b> 4 pt. outriggers down						9.3*	9.3*	7.6*	7.6*						7.3* 7.3*
<b>22.5</b> 4 pt. outriggers down						9.3*	9.3*	8.7*	8.7*	7.5*	7.5*				6.9* 6.9*
<b>21.0</b> 4 pt. outriggers down								8.5*	8.5*	7.9*	7.9*				6.6* 6.6*
<b>19.5</b> 4 pt. outriggers down								8.5*	8.5*	7.9*	7.9*	6.5*	6.5*		6.4* 6.4*
<b>18.0</b> 4 pt. outriggers down								8.4*	8.4*	7.9*	7.9*	7.4*	7.4*	7.0*	7.0*
<b>16.5</b> 4 pt. outriggers down								8.5*	8.5*	7.9*	7.9*	7.4*	7.4*	7.0*	7.0*
<b>15.0</b> 4 pt. outriggers down						9.2*	9.2*	8.5*	8.5*	7.9*	7.9*	7.4*	7.4*	7.0*	7.0*
<b>13.5</b> 4 pt. outriggers down						9.4*	9.4*	8.6*	8.6*	8.0*	8.0*	7.5*	7.5*	7.1*	7.1*
<b>12.0</b> 4 pt. outriggers down					10.5*	10.5*	9.6*	9.6*	8.8*	8.8*	8.1*	8.1*	7.6*	7.6*	7.1*
<b>10.5</b> 4 pt. outriggers down					10.8*	10.8*	9.8*	9.8*	9.0*	9.0*	8.3*	8.3*	7.7*	7.7*	7.2*
<b>9.0</b> 4 pt. outriggers down			14.4*	14.4*	12.6*	12.6*	11.2*	11.2*	10.1*	10.1*	9.2*	9.2*	8.4*	8.4*	7.8*
<b>7.5</b> 4 pt. outriggers down		18.1*	18.1*	15.2*	15.2*	13.1*	13.1*	11.6*	11.6*	10.4*	10.4*	9.4*	9.4*	8.6*	8.6*
<b>6.0</b> 4 pt. outriggers down	24.5*	24.5*	19.3*	19.3*	16.0*	16.0*	13.7*	13.7*	12.0*	12.0*	10.7*	10.7*	9.6*	9.6*	8.8*
<b>4.5</b> 4 pt. outriggers down	26.3*	26.3*	20.5*	20.5*	16.8*	16.8*	14.3*	14.3*	12.4*	12.4*	11.0*	11.0*	9.9*	9.9*	9.0*
<b>3.0</b> 4 pt. outriggers down	12.6*	12.6*	21.4*	21.4*	17.5*	17.5*	14.8*	14.8*	12.8*	12.8*	11.3*	11.3*	10.1*	10.1*	9.1*
<b>1.5</b> 4 pt. outriggers down	9.9*	9.9*	18.0*	18.0*	18.0*	18.0*	15.2*	15.2*	13.1*	13.1*	11.5*	11.5*	10.3*	10.3*	9.2*
<b>0</b> 4 pt. outriggers down	9.3*	9.3*	14.9*	14.9*	18.3*	18.3*	15.4*	15.4*	13.3*	13.3*	11.7*	11.7*	10.4*	10.4*	9.3*
<b>-1.5</b> 4 pt. outriggers down	9.5*	9.5*	13.8*	13.8*	18.3*	18.3*	15.5*	15.5*	13.3*	13.3*	11.7*	11.7*	10.4*	10.4*	9.3*
<b>-3.0</b> 4 pt. outriggers down	10.0*	10.0*	13.7*	13.7*	18.0*	18.0*	15.3*	15.3*	13.2*	13.2*	11.6*	11.6*	10.3*	10.3*	9.2*
<b>-4.5</b> 4 pt. outriggers down	10.7*	10.7*	13.9*	13.9*	17.3*	17.3*	14.8*	14.8*	12.9*	12.9*	11.3*	11.3*	10.0*	10.0*	8.9*
<b>-6.0</b> 4 pt. outriggers down			14.4*	14.4*	16.2*	16.2*	14.0*	14.0*	12.3*	12.3*	10.8*	10.8*	9.6*	9.6*	8.5*
<b>-7.5</b> 4 pt. outriggers down					14.6*	14.6*	12.8*	12.8*	11.3*	11.3*	10.0*	10.0*	8.8*	8.8*	7.7*

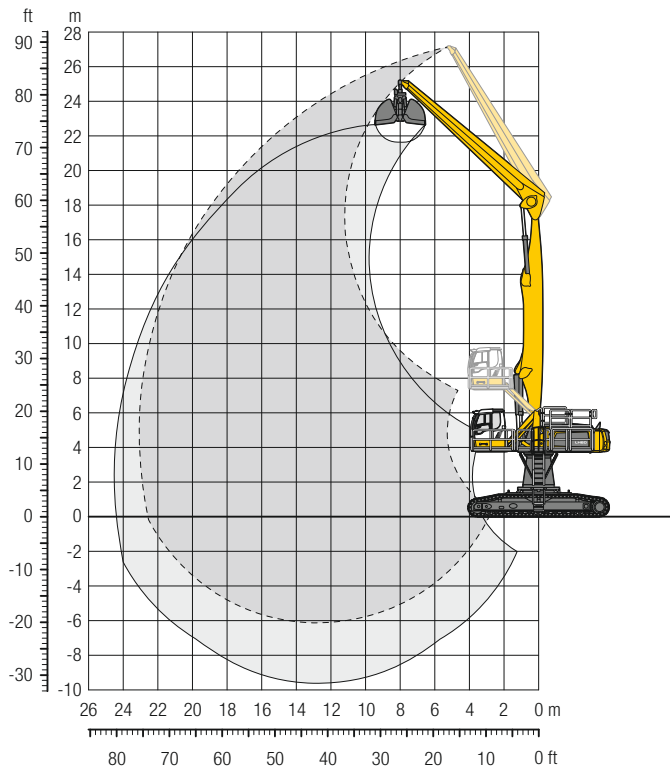
**Height** **Can be slewed through 360°** **In longitudinal position of undercarriage** **Max. reach** \* Limited by hydr. capacity

The lift capacities on the stick end without attachment are stated in metric tons (t) and are valid on a firm, level supporting surface with blocked oscillating axle. These capacities can be slewed through 360° with the undercarriage in the transverse position. Capacities in the longitudinal position of the undercarriage (+/- 15°) are specified over the rigid axle with the stabilizers down. Indicated loads based on the ISO 10567 standard and do not exceed 75% of tipping or 87% of hydraulic capacity. The lift capacity values indicated are attained at the corresponding operating temperature. This operating temperature is ensured by continuous movement of the boom. Weights of fitted attachments (grabs, load hooks, etc.) and load accommodation attachment are to be deducted from the lift capacity values. The lift capacity of the unit is limited by its stability, the lifting capability of the hydraulic elements, or the maximum permissible lifting capacity of the load hook.

In accordance with the harmonised European Standard EN 474-5, hydraulic excavators used for lifting operations must be equipped with pipe fracture safety valves, an overload warning device, a load hook and a lift capacity chart.

# LH 80 C HR – Equipment GG23

## Port – Kinematic 2A

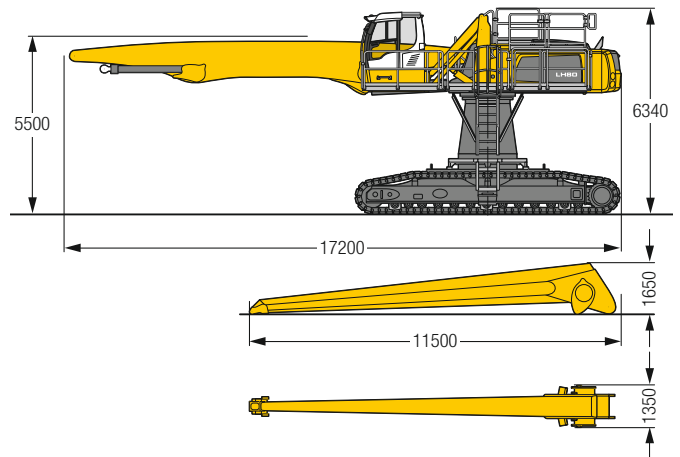


### Operating Weight and Ground Pressure

The operating weight includes the basic machine with turret 2,000 mm, hydr. cab elevation, straight boom 12.50 m, straight stick 11.00 m and grab for loose material GMZ 80/6.00 m<sup>3</sup>.

Weight	94,500 kg
Pad width	750 mm
Ground pressure	on request

### Dimensions



m	Undercarriage	Stick Length (m)												Max. reach					
		6.0 m	7.5 m	9.0 m	10.5 m	12.0 m	13.5 m	15.0 m	16.5 m	18.0 m	19.5 m	21.0 m	22.5 m	24.0 m	m	m			
27.0	SW																15.6*	15.6*	5.9
25.5	SW																11.4*	11.4*	10.0
24.0	SW			13.1*	13.1*												9.7*	9.7*	12.7
22.5	SW			14.3*	14.3*	12.9*	12.9*	11.0*	11.0*										14.8
21.0	SW					13.8*	13.8*	12.6*	12.6*	11.0*	11.0*								16.4
19.5	SW							12.9*	12.9*	11.8*	11.8*	10.7*	10.7*						17.8
18.0	SW							12.7*	12.7*	11.7*	11.7*	10.8*	10.8*	10.1*	10.1*				18.9
16.5	SW							12.6*	12.6*	11.6*	11.6*	10.7*	10.7*	9.9*	9.9*	9.3*	9.3*	8.2*	19.9
15.0	SW							12.7*	12.7*	11.6*	11.6*	10.7*	10.7*	9.9*	9.9*	9.3*	9.3*	8.7*	20.7
13.5	SW							12.8*	12.8*	11.7*	11.7*	10.8*	10.8*	10.0*	10.0*	9.3*	9.3*	8.7*	21.4
12.0	SW					14.5*	14.5*	13.1*	13.1*	11.9*	11.9*	10.9*	10.9*	10.1*	10.1*	9.3*	9.3*	8.7*	21.9
10.5	SW					14.7*	14.7*	14.9*	14.9*	13.3*	13.3*	12.1*	12.1*	11.0*	11.0*	10.2*	10.2*	9.4*	22.4
9.0	SW			14.0*	14.0*	16.4*	16.4*	15.4*	15.4*	13.7*	13.7*	12.3*	12.3*	11.2*	11.2*	10.3*	10.3*	9.5*	22.7
7.5	SW	13.6*	13.6*	17.6*	17.6*	18.4*	18.4*	15.9*	15.9*	14.0*	14.0*	12.6*	12.6*	11.4*	11.4*	10.4*	10.4*	9.5*	22.9
6.0	SW	28.9*	28.9*	23.0*	23.0*	19.1*	19.1*	16.4*	16.4*	14.4*	14.4*	12.8*	12.8*	11.5*	11.5*	10.5*	10.5*	9.6*	23.1
4.5	SW	30.7*	30.7*	24.1*	24.1*	19.8*	19.8*	16.9*	16.9*	14.7*	14.7*	13.0*	13.0*	11.7*	11.7*	10.5*	10.5*	9.6*	23.1
3.0	SW	11.2*	11.2*	24.8*	24.8*	20.3*	20.3*	17.2*	17.2*	14.9*	14.9*	13.1*	13.1*	11.7*	11.7*	10.5*	10.5*	9.5*	23.0
1.5	SW	8.4*	8.4*	19.4*	19.4*	20.5*	20.5*	17.3*	17.3*	15.0*	15.0*	13.1*	13.1*	11.7*	11.7*	10.4*	10.4*	9.3*	22.8
0	SW	8.2*	8.2*	15.4*	15.4*	20.2*	20.2*	17.1*	17.1*	14.8*	14.8*	13.0*	13.0*	11.5*	11.5*	10.2*	10.2*	9.0*	22.6
-1.5	SW	8.9*	8.9*	14.5*	14.5*	19.4*	19.4*	16.6*	16.6*	14.4*	14.4*	12.6*	12.6*	11.1*	11.1*	9.8*	9.8*	8.6*	21.7
-3.0	SW	9.9*	9.9*	14.8*	14.8*	18.0*	18.0*	15.5*	15.5*	13.5*	13.5*	11.8*	11.8*	10.4*	10.4*	9.1*	9.1*	7.8*	20.4
-4.5	SW			15.6*	15.6*	15.9*	15.9*	14.0*	14.0*	12.2*	12.2*	10.7*	10.7*	9.3*	9.3*	8.0*	8.0*	6.7*	18.5
-6.0	SW							10.4*	10.4*	9.1*	9.1*							8.3*	14.5

Height Can be slewed through 360° In longitudinal position of undercarriage Max. reach \* Limited by hydr. capacity

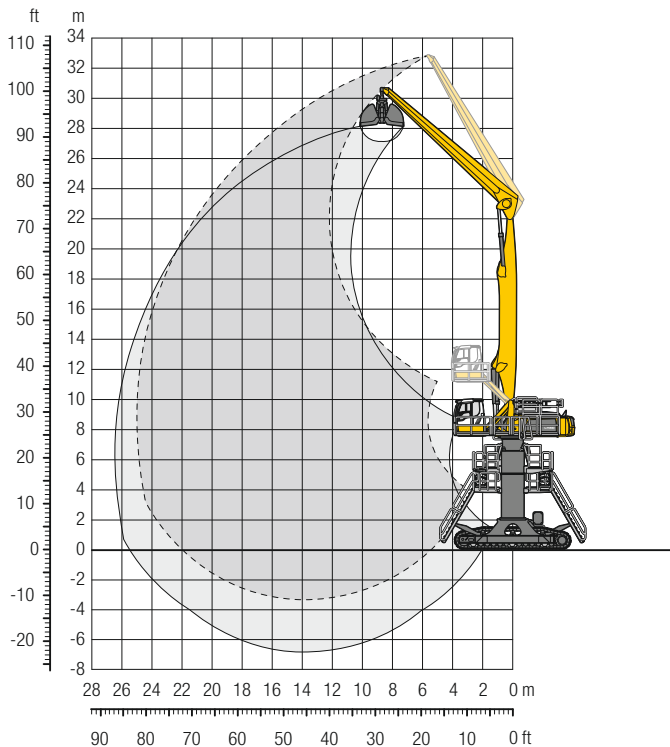
The lift capacities on the stick end without attachment are stated in metric tons (t) and can be slewed through 360° on a firm, level supporting surface. Capacities are valid for 750 mm wide flat pads. Indicated loads based on the ISO 10567 standard and do not exceed 75% of tipping or 87% of hydraulic capacity. The lift capacity values indicated are attained at the corresponding operating temperature. This operating temperature is ensured by continuous movement of the boom. Weights of fitted attachments (grabs, load hooks, etc.) and load accommodation attachment are to be deducted from the lift capacity values. The lift capacity of the unit is limited by its stability, the lifting capability of the hydraulic elements, or the maximum permissible lifting capacity of the load hook.

In accordance with the harmonised European Standard EN 474-5, hydraulic excavators used for lifting operations must be equipped with pipe fracture safety valves, an overload warning device, a load hook and a lift capacity chart.



# LH 80 C Gantry – Equipment GG25

## Port – Kinematic 2A

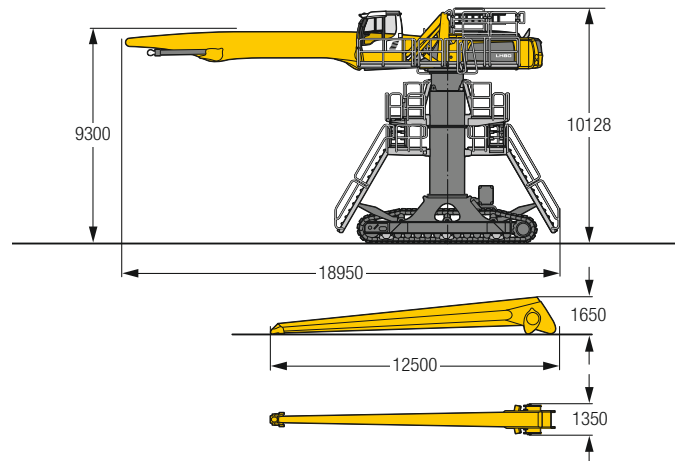


### Operating Weight and Ground Pressure

The operating weight includes the basic machine with hydr. cab elevation, straight boom 13.50 m, straight stick 12.00 m and grab for loose material GMZ 80/4.00 m<sup>3</sup>.

Weight	116,200 kg
Pad width	750 mm
Ground pressure	on request

### Dimensions



m	Undercarriage	6.0 m	7.5 m	9.0 m	10.5 m	12.0 m	13.5 m	15.0 m	16.5 m	18.0 m	19.5 m	21.0 m	22.5 m	24.0 m	m																					
31.5	Gantry			12.1*	12.1*										11.0*	11.0*	9.8																			
30.0	Gantry				12.0*	12.0*	10.4*	10.4*								9.2*	9.2*	12.8																		
28.5	Gantry				12.8*	12.8*	11.7*	11.7*	10.4*	10.4*	8.3*	8.3*				8.2*	8.2*	15.1																		
27.0	Gantry				12.4*	12.4*	11.4*	11.4*	10.2*	10.2*	8.3*	8.3*				7.6*	7.6*	16.9																		
25.5	Gantry				12.4*	12.4*	11.2*	11.2*	10.3*	10.3*	9.5*	9.5*	7.9*	7.9*		7.1*	7.1*	18.4																		
24.0	Gantry						11.1*	11.1*	10.2*	10.2*	9.4*	9.4*	8.8*	8.8*	7.2*	7.2*		6.8*	6.8*	19.7																
22.5	Gantry						11.1*	11.1*	10.2*	10.2*	9.4*	9.4*	8.7*	8.7*	8.1*	8.1*		6.6*	6.6*	20.8																
21.0	Gantry						11.1*	11.1*	10.1*	10.1*	9.4*	9.4*	8.7*	8.7*	8.1*	8.1*	7.6*	7.6*		6.4*	6.4*	21.7														
19.5	Gantry					12.2*	12.2*	11.1*	11.1*	10.2*	10.2*	9.4*	9.4*	8.7*	8.7*	8.1*	8.1*	7.5*	7.5*	6.3*	6.3*	6.2*	6.2*	22.5												
18.0	Gantry					12.4*	12.4*	11.2*	11.2*	10.2*	10.2*	9.4*	9.4*	8.7*	8.7*	8.1*	8.1*	7.5*	7.5*	7.0*	7.0*			6.2*	6.2*	23.2										
16.5	Gantry					12.5*	12.5*	11.3*	11.3*	10.3*	10.3*	9.5*	9.5*	8.7*	8.7*	8.1*	8.1*	7.5*	7.5*	7.0*	7.0*			6.1*	6.1*	23.7										
15.0	Gantry						13.8*	13.8*	12.8*	12.8*	11.5*	11.5*	10.4*	10.4*	9.6*	9.6*	8.8*	8.8*	8.1*	8.1*	7.5*	7.5*	7.0*	7.0*	6.3*	6.3*	6.1*	6.1*	24.2							
13.5	Gantry						13.4*	13.4*	14.7*	14.7*	13.0*	13.0*	11.7*	11.7*	10.6*	10.6*	9.6*	9.6*	8.9*	8.9*	8.2*	8.2*	7.5*	7.5*	7.0*	7.0*	6.3*	6.3*	6.0*	6.0*	24.5					
12.0	Gantry																																			
10.5	Gantry	15.6*	15.6*	19.4*	19.4*	18.2*	18.2*	15.6*	15.6*	13.6*	13.6*	12.1*	12.1*	10.8*	10.8*	9.8*	9.8*	9.0*	9.0*	8.2*	8.2*	7.5*	7.5*	6.9*	6.9*	6.2*	6.2*	5.6*	5.6*	4.4*	4.4*	24.9				
9.0	Gantry	28.9*	28.9*	22.7*	22.7*	18.7*	18.7*	15.9*	15.9*	13.9*	13.9*	12.3*	12.3*	11.0*	11.0*	9.9*	9.9*	9.0*	9.0*	8.2*	8.2*	7.5*	7.5*	6.8*	6.8*	6.0*	6.0*	5.3*	5.3*	4.4*	4.4*	25.0				
7.5	Gantry	11.7*	11.7*	23.4*	23.4*	19.2*	19.2*	16.2*	16.2*	14.1*	14.1*	12.4*	12.4*	11.0*	11.0*	9.9*	9.9*	9.0*	9.0*	8.2*	8.2*	7.4*	7.4*	6.7*	6.7*	5.8*	5.8*	5.0*	5.0*	4.1*	4.1*	25.0				
6.0	Gantry	6.8*	6.8*	17.6*	17.6*	19.4*	19.4*	16.4*	16.4*	14.2*	14.2*	12.4*	12.4*	11.0*	11.0*	9.9*	9.9*	8.9*	8.9*	8.1*	8.1*	7.3*	7.3*	6.4*	6.4*	5.5*	5.5*	4.7*	4.7*	4.4*	4.4*	24.9				
4.5	Gantry	6.2*	6.2*	12.5*	12.5*	19.3*	19.3*	16.3*	16.3*	14.1*	14.1*	12.4*	12.4*	11.0*	11.0*	9.8*	9.8*	8.8*	8.8*	7.9*	7.9*	7.0*	7.0*	6.1*	6.1*	5.0*	5.0*	4.3*	4.3*	4.4*	4.4*	24.7				
3.0	Gantry	6.5*	6.5*	11.2*	11.2*	18.8*	18.8*	16.0*	16.0*	13.8*	13.8*	12.1*	12.1*	10.7*	10.7*	9.5*	9.5*	8.5*	8.5*	7.6*	7.6*	6.6*	6.6*	5.7*	5.7*	4.3*	4.3*	3.9*	3.9*	4.4*	4.4*	24.3				
1.5	Gantry	7.3*	7.3*	11.2*	11.2*	17.8*	17.8*	15.3*	15.3*	13.3*	13.3*	11.7*	11.7*	10.3*	10.3*	9.1*	9.1*	8.1*	8.1*	7.1*	7.1*	6.1*	6.1*	5.0*	5.0*			4.1*	4.1*	4.4*	4.4*	23.4				
0	Gantry	8.3*	8.3*	11.8*	11.8*	16.3*	16.3*	14.2*	14.2*	12.4*	12.4*	10.9*	10.9*	9.7*	9.7*	8.5*	8.5*	7.5*	7.5*	6.4*	6.4*	5.3*	5.3*					4.4*	4.4*	4.4*	4.4*	22.0				
-1.5	Gantry			12.6*	12.6*	14.3*	14.3*	12.7*	12.7*	11.2*	11.2*	9.9*	9.9*	8.7*	8.7*	7.6*	7.6*	6.6*	6.6*	5.5*	5.5*							5.0*	5.0*	4.4*	4.4*	20.1				
-3.0	Gantry							9.5*	9.5*	8.4*	8.4*	7.4*	7.4*	6.4*	6.4*													6.3*	6.3*	4.4*	4.4*	16.6				

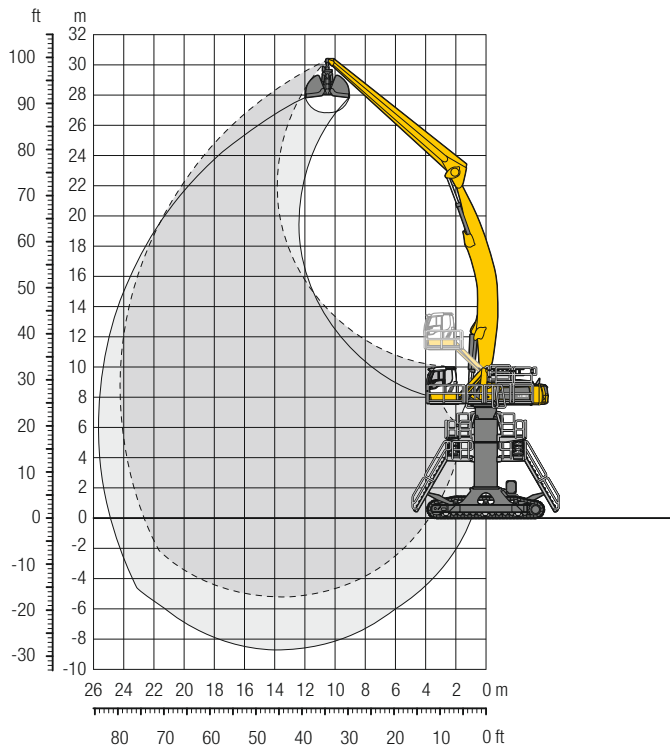
**Height** **Can be slewed through 360°** **In longitudinal position of undercarriage** **Max. reach** \* Limited by hydr. capacity

The lift capacities on the stick end without attachment are stated in metric tons (t) and can be slewed through 360° on a firm, level supporting surface. Capacities are valid for 750 mm wide flat pads. Indicated loads based on the ISO 10567 standard and do not exceed 75% of tipping or 87% of hydraulic capacity. The lift capacity values indicated are attained at the corresponding operating temperature. This operating temperature is ensured by continuous movement of the boom. Weights of fitted attachments (grabs, load hooks, etc.) and load accommodation attachment are to be deducted from the lift capacity values. The lift capacity of the unit is limited by its stability, the lifting capability of the hydraulic elements, or the maximum permissible lifting capacity of the load hook.

In accordance with the harmonised European Standard EN 474-5, hydraulic excavators used for lifting operations must be equipped with pipe fracture safety valves, an overload warning device, a load hook and a lift capacity chart.

# LH 80 C Gantry – Equipment AG24

## Port – Kinematic 2D

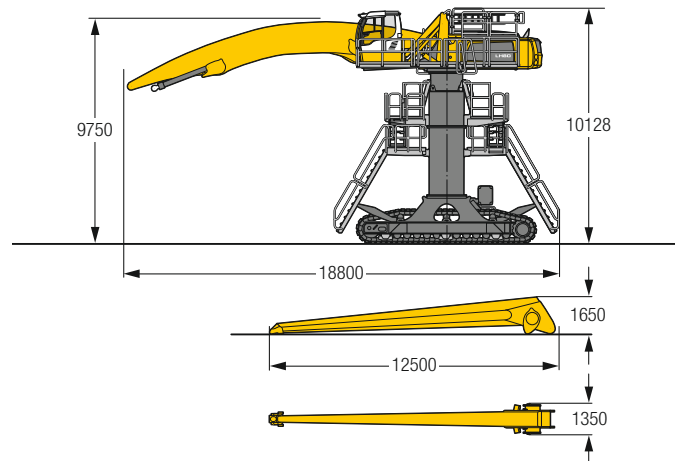


### Operating Weight and Ground Pressure

The operating weight includes the basic machine with hydr. cab elevation, angled boom 13.50 m, straight stick 12.00 m and grab for loose material GMZ 80/4.00 m<sup>3</sup>.

Weight	117,000 kg
Pad width	750 mm
Ground pressure	on request

### Dimensions




Height	Undercarriage	Stick Length (m)													Max. reach																			
		6.0 m	7.5 m	9.0 m	10.5 m	12.0 m	13.5 m	15.0 m	16.5 m	18.0 m	19.5 m	21.0 m	22.5 m	24.0 m	m	m																		
30.0	Gantry																	8.7*	8.7*	11.1														
28.5	Gantry					9.6*	9.6*	8.0*	8.0*										7.7*	7.7*	13.7													
27.0	Gantry							9.5*	9.5*	8.0*	8.0*								7.2*	7.2*	15.7													
25.5	Gantry							9.3*	9.3*	8.6*	8.6*	7.9*	7.9*						6.8*	6.8*	17.3													
24.0	Gantry									8.5*	8.5*	8.0*	8.0*	7.5*	7.5*				6.5*	6.5*	18.7													
22.5	Gantry									8.5*	8.5*	7.9*	7.9*	7.4*	7.4*	6.8*	6.8*		6.3*	6.3*	19.8													
21.0	Gantry									8.4*	8.4*	7.9*	7.9*	7.4*	7.4*	7.0*	7.0*		6.2*	6.2*	20.8													
19.5	Gantry									8.5*	8.5*	7.9*	7.9*	7.4*	7.4*	7.0*	7.0*	6.7*	6.7*		21.6													
18.0	Gantry											9.3*	9.3*	8.6*	8.6*	8.0*	8.0*	7.5*	7.5*	7.0*	7.0*	6.7*	6.7*	22.3										
16.5	Gantry											9.4*	9.4*	8.7*	8.7*	8.0*	8.0*	7.5*	7.5*	7.1*	7.1*	6.7*	6.7*	6.3*	6.3*	22.9								
15.0	Gantry													9.6*	9.6*	8.8*	8.8*	8.2*	8.2*	7.6*	7.6*	7.1*	7.1*	6.7*	6.7*	6.4*	6.4*	23.4						
13.5	Gantry													10.6*	10.6*	9.6*	9.6*	8.8*	8.8*	8.2*	8.2*	7.6*	7.6*	7.1*	7.1*	6.7*	6.7*	23.7						
12.0	Gantry															12.2*	12.2*	10.9*	10.9*	9.9*	9.9*	9.0*	9.0*	8.3*	8.3*	7.7*	7.7*	7.2*	7.2*	6.8*	6.8*	6.4*	6.4*	24.0
10.5	Gantry	22.9*	22.9*	18.4*	18.4*	15.4*	15.4*	13.3*	13.3*	11.7*	11.7*	10.4*	10.4*	9.5*	9.5*	8.6*	8.6*	8.0*	8.0*	7.4*	7.4*	6.9*	6.9*	6.5*	6.5*	6.1*	6.1*	6.0*	6.0*	5.9*	5.9*	24.1		
9.0	Gantry	24.9*	24.9*	19.6*	19.6*	16.2*	16.2*	13.8*	13.8*	12.1*	12.1*	10.8*	10.8*	9.7*	9.7*	8.8*	8.8*	8.1*	8.1*	7.5*	7.5*	7.0*	7.0*	6.5*	6.5*	6.0*	6.0*	6.0*	6.0*	5.9*	5.9*	24.2		
7.5	Gantry	20.9*	20.9*	20.7*	20.7*	17.0*	17.0*	14.4*	14.4*	12.5*	12.5*	11.0*	11.0*	9.9*	9.9*	9.0*	9.0*	8.2*	8.2*	7.6*	7.6*	7.0*	7.0*	6.5*	6.5*	6.0*	6.0*	5.9*	5.9*	24.2				
6.0	Gantry	11.7*	11.7*	21.6*	21.6*	17.6*	17.6*	14.9*	14.9*	12.8*	12.8*	11.3*	11.3*	10.1*	10.1*	9.1*	9.1*	8.3*	8.3*	7.7*	7.7*	7.1*	7.1*	6.5*	6.5*	5.9*	5.9*	5.9*	5.9*	24.1				
4.5	Gantry	9.7*	9.7*	17.0*	17.0*	18.1*	18.1*	15.2*	15.2*	13.1*	13.1*	11.5*	11.5*	10.3*	10.3*	9.3*	9.3*	8.4*	8.4*	7.7*	7.7*	7.1*	7.1*	6.4*	6.4*	5.9*	5.9*	5.9*	5.9*	23.9				
3.0	Gantry	9.3*	9.3*	14.5*	14.5*	18.3*	18.3*	15.4*	15.4*	13.3*	13.3*	11.7*	11.7*	10.4*	10.4*	9.3*	9.3*	8.4*	8.4*	7.7*	7.7*	7.0*	7.0*	6.3*	6.3*	5.8*	5.8*	5.8*	5.8*	23.5				
1.5	Gantry	9.6*	9.6*	13.7*	13.7*	18.3*	18.3*	15.5*	15.5*	13.3*	13.3*	11.7*	11.7*	10.4*	10.4*	9.3*	9.3*	8.4*	8.4*	7.6*	7.6*	6.8*	6.8*	6.1*	6.1*	5.7*	5.7*	5.7*	5.7*	23.1				
0	Gantry	10.1*	10.1*	13.7*	13.7*	17.9*	17.9*	15.2*	15.2*	13.2*	13.2*	11.6*	11.6*	10.3*	10.3*	9.2*	9.2*	8.2*	8.2*	7.4*	7.4*	6.5*	6.5*	5.6*	5.6*	5.5*	5.5*	5.5*	5.5*	22.6				
-1.5	Gantry	10.8*	10.8*	14.0*	14.0*	17.1*	17.1*	14.7*	14.7*	12.8*	12.8*	11.2*	11.2*	10.0*	10.0*	8.9*	8.9*	7.9*	7.9*	7.0*	7.0*	6.0*	6.0*	5.3*	5.3*	5.3*	5.3*	22.0						
-3.0	Gantry			14.6*	14.6*	15.9*	15.9*	13.8*	13.8*	12.1*	12.1*	10.6*	10.6*	9.4*	9.4*	8.3*	8.3*	7.3*	7.3*	6.3*	6.3*			5.6*	5.6*	20.6								
-4.5	Gantry					12.5*	12.5*	11.0*	11.0*	9.7*	9.7*	8.6*	8.6*	7.5*	7.5*									6.6*	6.6*	17.7								


**Height** **Can be slewed through 360°** **In longitudinal position of undercarriage** **Max. reach** \* Limited by hydr. capacity


The lift capacities on the stick end without attachment are stated in metric tons (t) and can be slewed through 360° on a firm, level supporting surface. Capacities are valid for 750 mm wide flat pads. Indicated loads based on the ISO 10567 standard and do not exceed 75% of tipping or 87% of hydraulic capacity. The lift capacity values indicated are attained at the corresponding operating temperature. This operating temperature is ensured by continuous movement of the boom. Weights of fitted attachments (grabs, load hooks, etc.) and load accommodation attachment are to be deducted from the lift capacity values. The lift capacity of the unit is limited by its stability, the lifting capability of the hydraulic elements, or the maximum permissible lifting capacity of the load hook.


In accordance with the harmonised European Standard EN 474-5, hydraulic excavators used for lifting operations must be equipped with pipe fracture safety valves, an overload warning device, a load hook and a lift capacity chart.

# Equipment

	80 M	80 C	80 M HR	80 C HR	80 C Gantry
 <b>Undercarriage</b>					
Track pads, variants		+		+	+
Individual control outriggers	+		•		
Three-piece chain guide		•		•	•
Shuttle axle lock, automatic	•		•		
Outrigger monitoring system	+		+		
Tyres, variants	+		+		
Protection for piston rods, outriggers	+		+		
Two lockable storage compartments	•				

	80 M	80 C	80 M HR	80 C HR	80 C Gantry
 <b>Uppercarriage</b>					
Uppercarriage right side light, 1 piece, LED	•	•	•	•	•
Uppercarriage rear light, 2 pieces, LED	+	+			
Uppercarriage underneath rear light, 1 piece, LED			+	+	+
Refuelling system with filling pump	+	+	+	+	+
Railing on uppercarriage	+	+	•	•	•
Generator	+	+	+	+	+
Main battery switch for electrical system	•	•	•	•	•
Amber beacon, at uppercarriage, LED double flash	+	+	+	+	+
Protection for headlights	+	+			
Protection for rear lights	+	+			
Tool equipment, extended	•	•	•	•	•

	80 M	80 C	80 M HR	80 C HR	80 C Gantry
 <b>Hydraulic System</b>					
Electronic pump regulation	•	•	•	•	•
Liebherr hydraulic oil from -20 °C to +40 °C	•	•	•	•	•
Liebherr hydraulic oil, biologically degradable	+	+	+	+	+
Liebherr hydraulic oil, specially for warm or cold regions	+	+	+	+	+
Magnetic rod in hydraulic tank	•	•	•	•	•
Bypass filter	+	+	+	+	+
Preheating hydraulic oil	+	+	+	+	+

	80 M	80 C	80 M HR	80 C HR	80 C Gantry
 <b>Engine</b>					
Fuel anti-theft device	+	+	+	+	+
Air pre-filter with dust discharge	+	+	+	+	+
Automatic engine shut-down (time adjustable)	+	+	+	+	+
Preheating fuel	+	+	+	+	+
Preheating coolant	+	+	+	+	+
Preheating engine oil*	+	+	+	+	+

	80 M	80 C	80 M HR	80 C HR	80 C Gantry
 <b>Cooling System</b>					
Reversible fan drive, fully automatic	+	+	+	+	+
Protective grid in front of cooler intake	•	•	•	•	•



## Operator's Cab

	80 M	80 C	80 M HR	80 C HR	80 C Gantry
Stabilizer assistant	+		+		
Stabilizer, control lever, left console	+		+		
Stabilizer, proportional control on left joystick	•		•		
Cab lights rear, LED	+	+	+	+	+
Cab lights front, LED	+	+	+	+	+
Cab lights front, LED (under rain cover)	•	•	•	•	•
Armrest adjustable	•	•	•	•	•
Circular bubble level	+	+	•	•	•
Slewing gear brake Comfort, button on the left or right joystick	+	+	+	+	+
Driver profile, personalised (max. 5 drivers)	+	+	+	+	+
Operator's seat Comfort	•	•	•	•	•
Operator's seat Premium	+	+	+	+	+
Driving alarm (acoustic signal is emitted during travel, can be switched ON / OFF)	+	+	+	+	+
Fire extinguisher	+	+	+	+	+
Footrest	+	+	+	+	+
Horn, button on left joystick	•	•	•	•	•
Joystick steering	•		•		
Joystick and wheel steering (slim version)	+		+		
Cab elevation, hydraulic (LHC)	•	•	•	•	•
Cab elevation, hydraulic with double parallelogram (LHC-D)			+	+	+
Cab elevation, rigid (LFC)	+	+			
Automatic air conditioning	•	•	•	•	•
Wheel steering (slim version)	+		+		
LiDAT, vehicle fleet management	•	•	•	•	•
Proportional control	•	•	•	•	•
Radio Comfort, control via display with handsfree set	+	+	+	+	+
Preparation for radio installation	•	•	•	•	•
Back-up alarm (acoustic signal is emitted traveling backward, can not be switched off)	+		+		
Amber beacon, on cabin, LED double flash	+	+	+	+	+
Windows made from impact-resistant laminated safety glass	+	+	•	•	•
Windscreen wiper, roof	+	+	+	+	+
Windshield wiper, entire windscreen	•	•	•	•	•
Top guard	+	+	+	+	+
Front guard, adjustable	+	+	+	+	+
Sun visor	+	+	+	+	+
Left control console, folding	•	•	•	•	•



## Equipment

	80 M	80 C	80 M HR	80 C HR	80 C Gantry
Boom lights, 2 pieces, LED	•	•	•	•	•
Stick lights, 2 pieces, LED	•	•	•	•	•
Boom shutoff (retract/extend), electronically	+	+	•	•	•
Equipment with electro-hydraulic end position control	•	•	•	•	•
AutoLift	+	+	+	+	+
Pressure warning mechanism hoist cylinder	•	•	•	•	•
ERC system	•	•	•	•	•
Filter system for attachment	+	+	+	+	+
Electronic lift limitation	+	+	+	+	+
Boom cylinder cushioning	•	•	•	•	•
Stick camera (with separate monitor), bottom side, with protection	+	+	+	+	+
Load torque limitation	+	+	+	+	+
Liebherr multi coupling system	+	+	+	+	+
Pipe fracture safety valves hoist cylinders	•	•	•	•	•
Pipe fracture safety valves stick cylinders	•	•	•	•	•
Quick coupling system MH 110B	+	+	+	+	+
Protection for piston rod, energy recovering cylinder	+	+	+	+	+
Protection for piston rods, hoist cylinder	+	+	+	+	+
Stick shutoff (retract), electronically	•	•	•	•	•
Stick shutoff (retract/extend), electronically	+	+	+	+	+
Retract stick without pressure	•	•	•	•	•
Sticks with quick coupling	+	+	+	+	+
Overload warning device	+	+	+	+	+



## Complete Machine

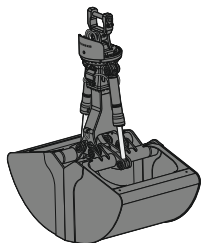
	80 M	80 C	80 M HR	80 C HR	80 C Gantry
<b>Lubrication</b>					
Lubrication undercarriage, manually – decentralised (grease points)	•				
Lubrication undercarriage, manually – centralised (one grease point)	+		•		
Central lubrication system for uppercarriage and equipment, automatically	•	•	•	•	•
Central lubrication system for undercarriage, automatically	+		+		
Central lubrication system, extension for attachment	+	+	+	+	+
<b>Special coating</b>					
Special coating, variants	+	+	+	+	+
<b>Monitoring</b>					
Rear view monitoring with camera	•	•	•	•	•
Side view monitoring with camera	•	•	•	•	•

• = Standard, + = Option

\* = country-dependent

Options and/or special equipments, supplied by vendors other than Liebherr, are only to be installed with the knowledge and approval of Liebherr in order to retain warranty.

# Attachments



## Grab for Loose Material

Shells for loose material with cutting edge (without teeth)

Grab model GMZ 50								
Width of shells	mm	1,400	1,600	1,800	2,000	2,200	2,400	3,200
Capacity	m <sup>3</sup>	3.50	4.00	4.50	5.00	5.50	6.00	8.00
Loose material, specific weight up to	t/m <sup>3</sup>	1.1	1.1	1.1	1.1	1.1	1.1	1.1
Weight	kg	2,695	2,830	2,905	3,035	3,170	3,300	3,830
Grab model GMZ 80								
Width of shells	mm	1,300	1,500	1,750	2,000	2,200	2,600	
Capacity	m <sup>3</sup>	3.00	3.50	4.00	4.50	5.00	6.00	
Weight	kg	2,515	2,630	2,775	2,920	3,040	3,275	
Grab model GMZ 120								
Width of shells	mm	1,600	1,800	2,000	2,200	2,400	2,800	
Capacity	m <sup>3</sup>	4.00	4.50	5.00	5.50	6.00	7.00	
Weight	kg	3,040	3,135	3,295	3,425	3,545	3,825	

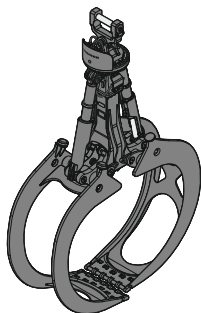


## Multi-Tine Grab

closed

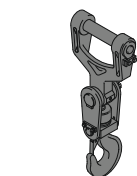
Grab model GMM 80-5 (5 tines)				
Capacity	m <sup>3</sup>	1.10*	1.40*	1.70*
Weight	kg	2,440	2,580	2,740
Grab model GMM 120-5 (5 tines)				
Capacity	m <sup>3</sup>	1.70	2.00	2.50
				3.00

\* heart-shaped



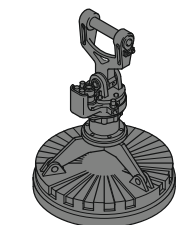
## Wood Grab

Grab model GMH 50 round-shaped (overlapping, horizontal cylinders)						
Size	m <sup>2</sup>	2.50	2.50	2.80	3.20	3.60
Cutting width	mm	870	1,000	1,000	1,000	1,000
Height of grab, closed	mm	2,520	2,531	2,642	2,772	2,942
Weight	kg	2,115	2,190	2,270	2,330	2,390
Grab model GMH 80 round-shaped (complete overlapping, vertical cylinders)						
Size	m <sup>2</sup>	1.60	1.90	2.20	2.50	
Cutting width	mm	870	870	870	870	
Height of grab, closed	mm	3,202	3,332	3,487	3,582	
Weight	kg	2,195	2,240	2,255	2,315	
Grab model GMH 120 round-shaped (complete overlapping, vertical cylinders)						
Size	m <sup>2</sup>	2.80	3.20			
Cutting width	mm	870	870			
Height of grab, closed	mm	3,851	4,007			
Weight	kg	2,405	2,765			



## Load Hook

Max. load	t	25
Height with suspension	mm	1,220
Weight	kg	255



## Magnet Devices / Lifting Magnets

Generator	kW	20	30
Electromagnet with suspension			
Power	kW	11.7	17.8
Diameter of magnet	mm	1,500	1,700
Weight	kg	2,400*	3,300*

\* only magnet plate